

Monet

Design: Stefano Conficconi



Description

A balanced relaxation experience awaits with the Monet Rocking chair. The original manufacturing of the seat, composed of multiple tubular cushions, exudes style and personality, making it a true design statement.

High-quality materials and meticulous attention to detail emphasize the chair's soft, elegant curves, blending comfort with sophistication. Perfectly suited for any ambiance, Monet adds a touch of timeless charm to your living space while offering a serene and relaxing retreat.

For added comfort, an optional footrest and an optional headrest are available.

Made in Italy.

Finishes & Materials

Frame: Multilayer poplar wood and solid beech wood.

Padding: Expanded polyurethane foam having different densities and a layer of acrylic fibers.

Upholstery: Fabric or Leather.

Base: Metal with felt.

Monet

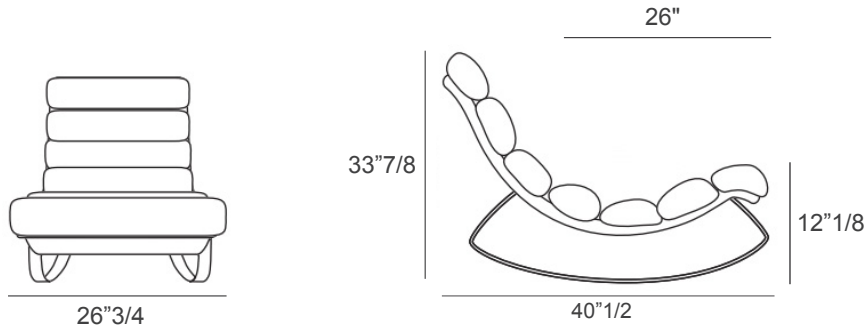
Dimensions

26"3/4W x 40"1/2D x 33"7/8H

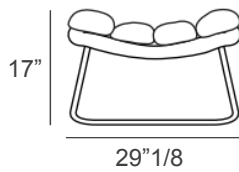
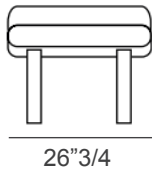
Seat height: 12"1/8 - Seat depth: 26"

Optional footrest: 26"3/4W x 29"1/8D x 17"H

Optional headrest: 27"1/2W x 4"D x 29"1/2H



Optional footrest



Optional headrest

