

Option

Design: Stefano Conficconi



Description

The Option sofa redefines modern glamour with a captivating design that blends comfort and sophistication. Its comfortable padded backrest and armrests offer luxurious comfort, while sleek metal bands provide a striking visual contrast. This versatile piece adapts to various styles, embodying timeless elegance and a personal choice, an option.

Option's adaptable design transitions seamlessly from a bold and modern aesthetic to vintage Victorian charm with sumptuous drapery. It also revisits the '70s with the rich allure of velvet and echoes the vibrant eccentricity of '80s leather. Subtle matt shades evoke the cinematic mood of a French noir, making Option the focal point of any setting.

Decorative cushions padded with siliconized microfiber are available as optionals.

Made in Italy.

Finishes & Materials

Frame: Multilayer poplar wood with elastic belts support.

Padding: Different densities of polyurethane foam covered with an acrylic fiber layer.

Upholstery: Fabric or Leather.

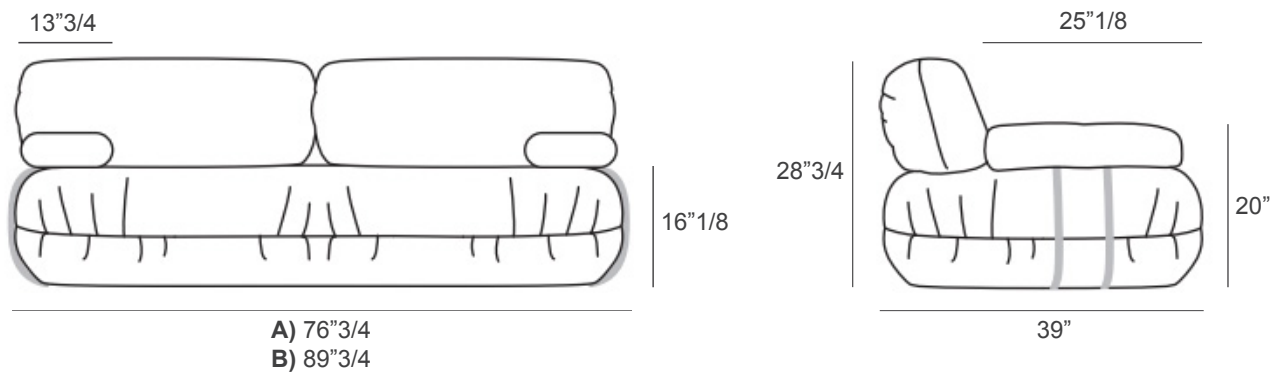
Decorative Support Bands: Metal.

Option

Dimensions

- A) Two-Seater: 76"3/4 x 39"D x 28"3/4H
 B) Three-Seater: 89"3/4 x 39"D x 28"3/4H

Seat height: 16"1/8
 Armrests height: 20"
 Seat depth: 25"1/8

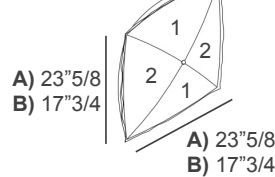


Optional decorative cushions

Two-Color:

- A) 23"5/8W x 23"5/8H - **Cod. C1**
 B) 17"3/4W x 17"3/4H - **Cod. C2**
 C) 27"1/2W x 11"7/8H - **Cod. C3**
 D) Ø19"5/8 - **Cod. CT**

Two-Color



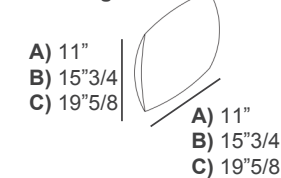
Please note:

The sections marked with the number 1 will be in one color, and the sections marked with the number 2 will be in a different color.

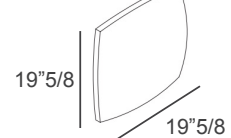
Knife-Edged:

- A) 11"W x 11"H - **Cod. C4**
 B) 15"3/4W x 15"3/4H - **Cod. C5**
 C) 19"5/8W x 19"5/8H - **Cod. C9**
 D) 27"1/2W x 11"7/8H - **Cod. 10**

Knife-Edged



Box-Edged



Box-Edged:

- 19"5/8W x 19"5/8H - **Cod. C50**