

## Regis

Design: Marco Fumagalli



### Description

If your home were a kingdom, Regis would certainly be its exotic queen—a black pearl of captivating beauty. Designed as a throne of understated elegance, this swivel lounge chair features a simple cylindrical frame that gracefully stretches upwards, exuding sophistication and charm.

The Leather backrest is adorned with intricate engravings that evoke lush vegetation and the delicate tracks of wild foxes. Lumbar cushion in siliconized microfiber is included.

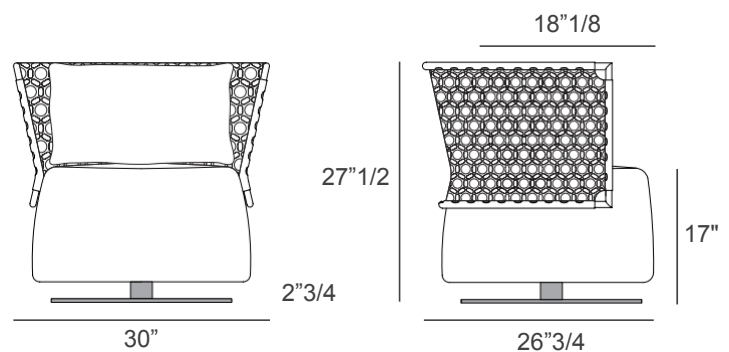
Made in Italy.

### Dimensions

30"W x 26"3/4D x 27"1/2H

Seat height: 17"

Depth seat: 18"1/8



### Finishes & Materials

**Structure:** Metal with elastic belts support.

**Padding:** Polyurethane foam covered with siliconized microfiber and an acrylic layer.

**Tubular Frame:** Metal painted in matt RAL colors.

**Seat & Lumbar Cushion Upholstery:** Fabric & Leather.

**Backrest Upholstery:** Carved Leather.

**Swivel Base:** 360° memory-return swivel mechanism.