

Soft

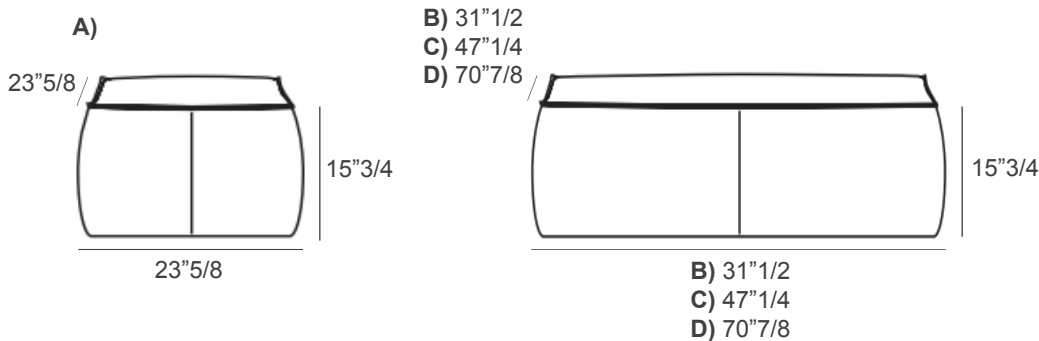


Description

Comfort in every detail. Upholstered in Fabric or Leather and available in a wide range of colors, it's the perfect accent piece to bring personality and style to your living space. Made in Italy.

Dimensions

- A) 23"5/8W x 23"5/8D x 15"3/4H - Cod. P
- B) 31"1/2W x 31"1/2D x 15"3/4H - Cod. P80
- C) 47"1/4W x 47"1/4D x 15"3/4H - Cod. PGR
- D) 70"7/8W x 23"5/8D x 15"3/4H - Cod. PRG



Finishes & Materials

Padding: Expanded polyurethane foam that is covered with sterilized hypoallergenic goose-down.

Upholstery: Fabric or Leather.