

## *Up-Down*

*Design: Maurizio Manzoni*



### *Description*

With a lively and timeless identity, Up-Down merges softness and modern design to deliver unparalleled comfort. Its versatile style allows it to take center stage in any room, thanks to a meticulously designed backrest that exudes elegance from every angle.

The raw-cut edges highlight the superior craftsmanship and high-quality materials, making Up-Down not just a sofa but a statement piece for contemporary living spaces.

The higher backrests and armrests feature an adjustable mechanism for enhanced comfort. Compositions “E” and “F” are not equipped with such mechanism.

Decorative cushions padded with siliconized microfiber are available as optionals.

Made in Italy.

### *Finishes & Materials*

**Structure:** Metal with wooden frame supported by elastic belts.

**Padding:** Expanded polyurethane foam with three different densities, covered with siliconized microfiber.

**Upholstery:** Fabric or Leather.

**Legs:** Metal.

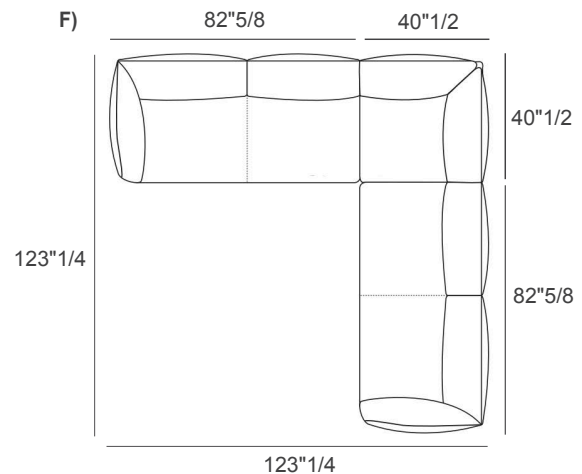
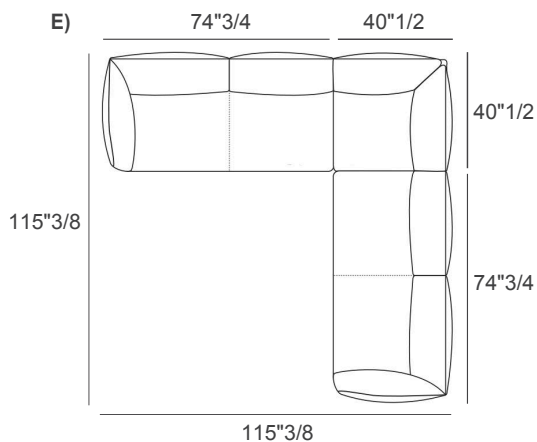
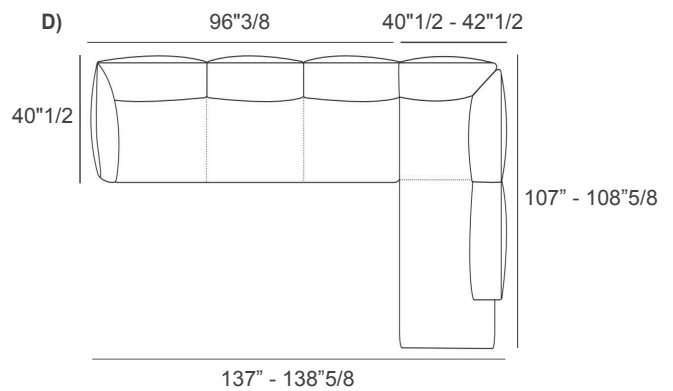
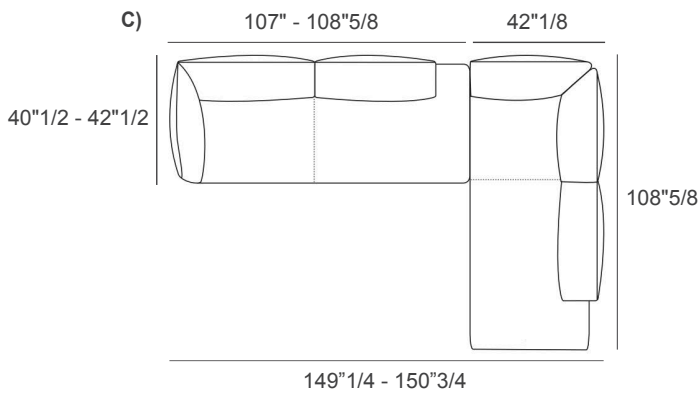
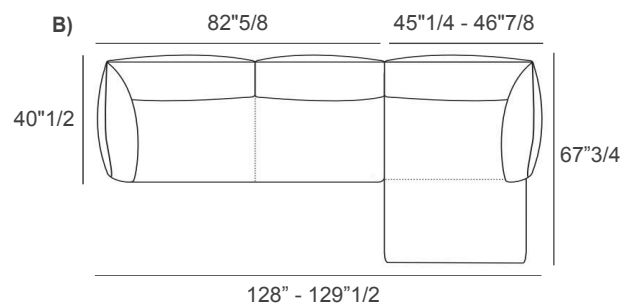
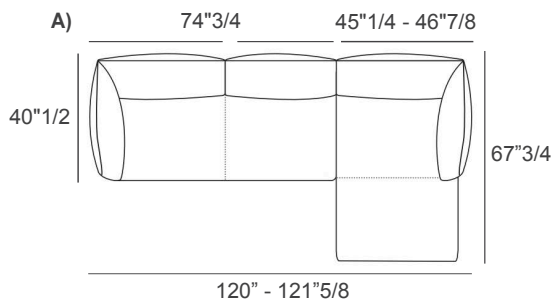
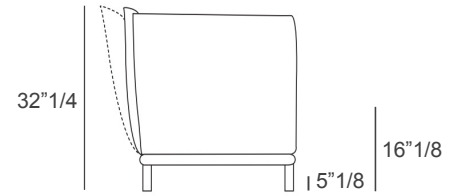
## Up-Down

### Compositions

- A) 120"W - 121"5/8W x 67"3/4D x 32"1/4H - **Cod. 19L+18H**
- B) 128"W - 129"1/2W x 67"3/4D x 32"1/4H - **Cod. 29L+18H**
- C) 149"1/4W - 150"3/4W x 108"5/8D x 32"1/4H - **Cod. 37H+37L**
- D) 137"W - 138"5/8W x 107"D - 108"5/8D x 32"1/4H - **Cod. 09L+37H**
- E) 115"3/8W x 115"3/8D x 25"5/8H - **Cod. 19L+40L+20L**
- F) 123"1/4W x 123"1/4D x 25"5/8H - **Cod. 29L+40L+30**

Seat height: 16"1/8

Side view



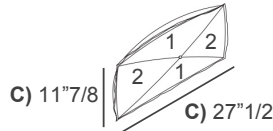
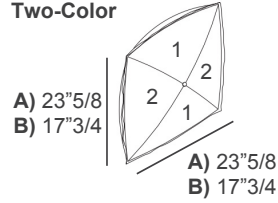
## Up-Down

### Optional decorative cushions

#### Two-Color:

- A) 23"5/8W x 23"5/8H - **Cod. C1**
- B) 17"3/4W x 17"3/4H - **Cod. C2**
- C) 27"1/2W x 11"7/8H - **Cod. C3**
- D) Ø19"5/8 - **Cod. C7**

#### Two-Color



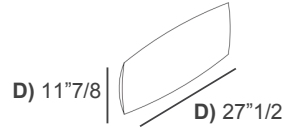
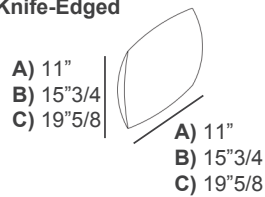
#### Please note:

The sections marked with the number 1 will be in one color, and the sections marked with the number 2 can be in a different color.

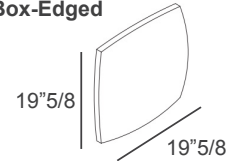
#### Knife-Edged:

- A) 11"W x 11"H - **Cod. C4**
- B) 15"3/4W x 15"3/4H - **Cod. C5**
- C) 19"5/8W x 19"5/8H - **Cod. C9**
- D) 27"1/2W x 11"7/8H - **Cod. 10**

#### Knife-Edged



#### Box-Edged



#### Box-Edged:

- 19"5/8W x 19"5/8H - **Cod. C50**