

Billie

Design: Ludovica + Roberto Palomba



Description

Billie is one of the five families of the sectional sofa collection designed by Ludovica +Roberto Palomba. The aluminum frame, light and ecological, on which all the padded elements are inserted, is the distinctive feature and the common denominator of the collection, expression of the high tailoring craftsmanship of Made in Italy. The various types of seat and padding at different heights of bearing capacity are designed to ensure maximum comfort. Billie has a single large seat cushion, with a hidden aluminum foot. Made in Italy.

Finishes & Materials

Cover: Fabric or leather.

Frame & feet: Aluminum.

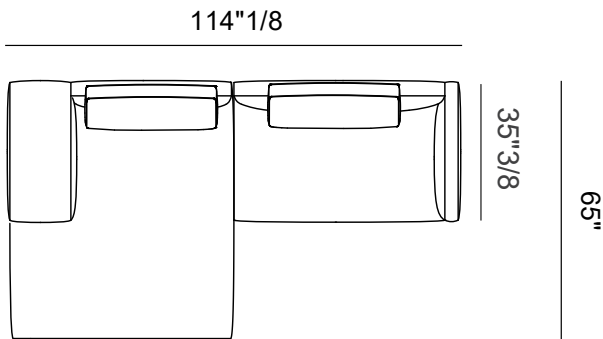
Billie

Dimensions

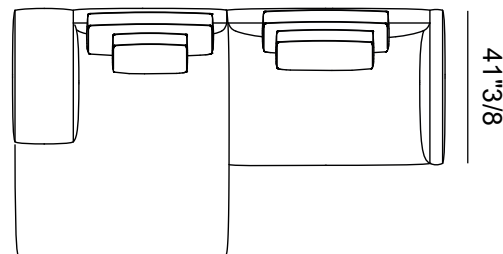
- Comp. A: 114"1/8W x 65"D x 31"1/2H
- Comp. B : 135"7/8W x 65"D x 31"1/2H
- Comp. C: 130"W x 65"D x 31"1/2H
- Comp. D: 187"W x 65"D x 31"1/2H
- Comp. E: 126"W x 61"D x 31"1/2H
- Comp. F: 114"1/8W x 65"D x 31"1/2H
- Comp. G: 147"5/8W x 50"D x 31"1/2H
- Comp. H: 196"7/8W x 41"3/8D x 31"1/2H
- Comp. I: 198"7/8W x 65"D x 31"1/2H

SH: 17"
AH: 24"3/8

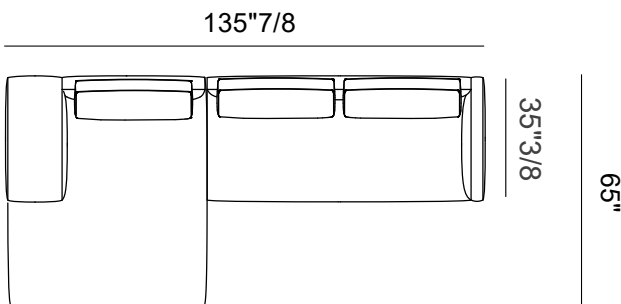
Comp. A depth 35"3/8



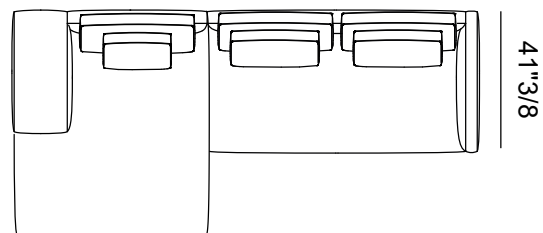
Comp. A depth 41"3/8



Comp. B depth 35"3/8



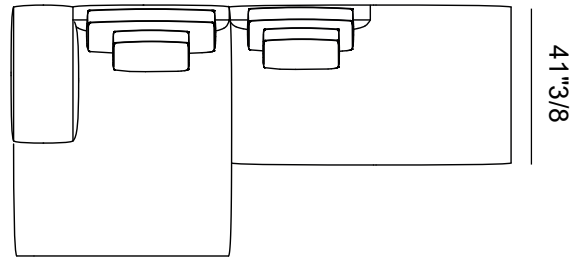
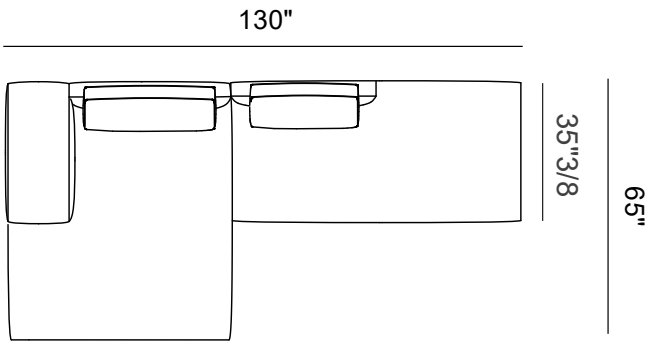
Comp. B depth 41"3/8



Billie

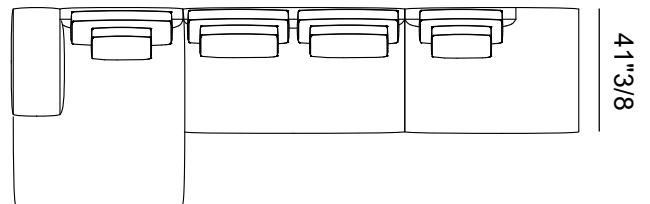
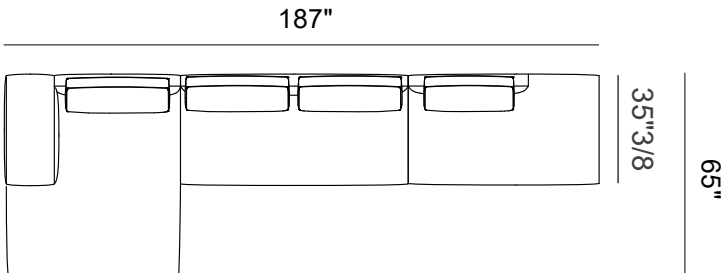
Comp. C depth 35"3/8

Comp. C depth 41"3/8



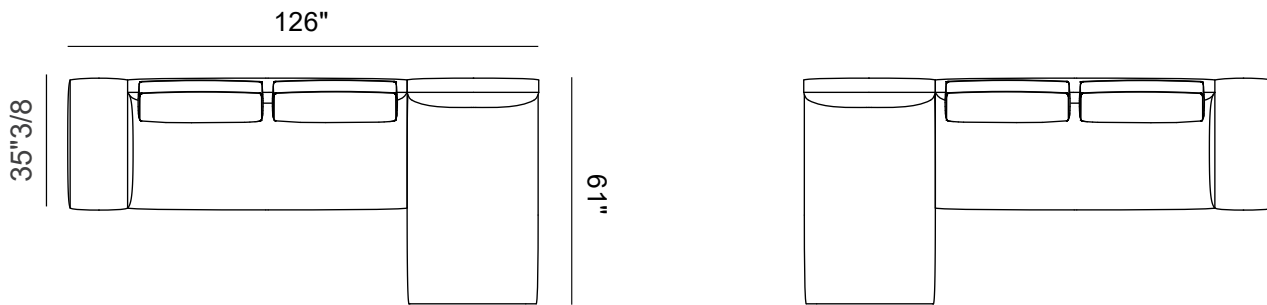
Comp. D depth 35"3/8

Comp. D depth 41"3/8

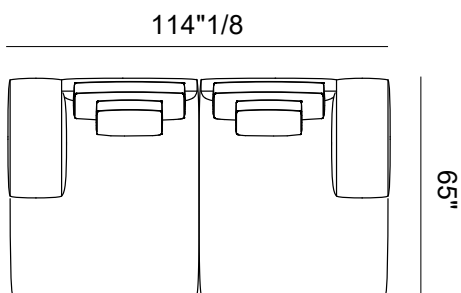


Billie

Comp. E depth 35"3/8

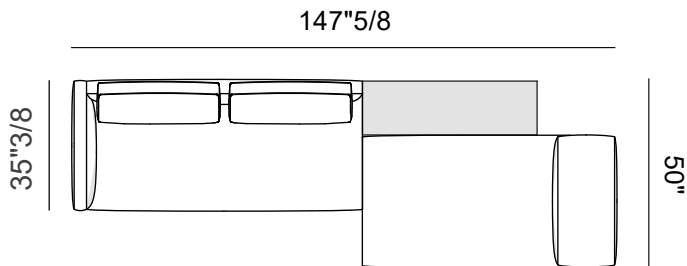


Comp. F

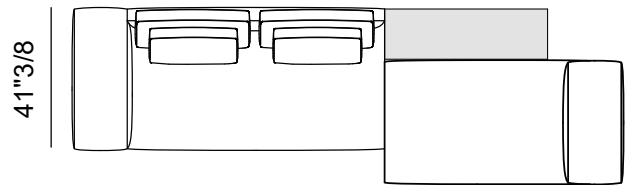


Billie

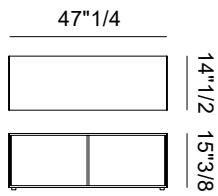
Comp. G depth 35"3/8



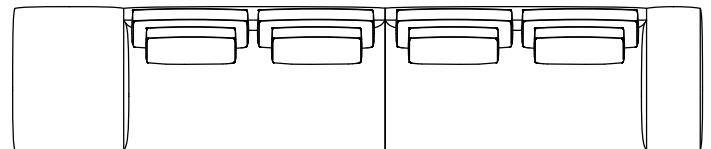
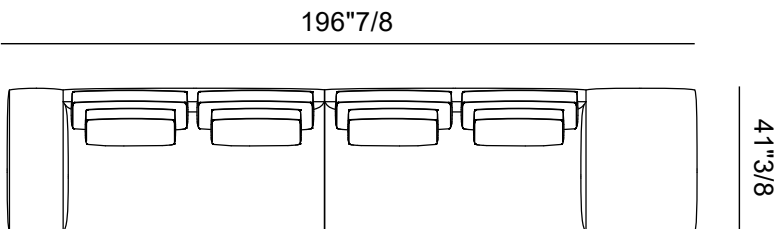
Comp. G depth 41"3/8



Sofa back table

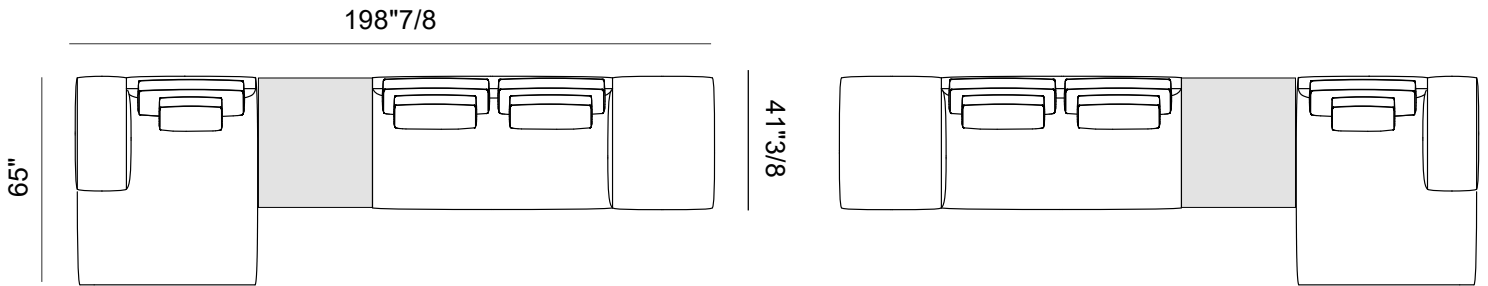


Comp. H depth 41"3/8



Billie

Comp. I depth 41"3/8



Coffee table

