

Mamanonmama

Design: Mario Botta



Description

Inspired by daisies, the luxury Mamanonmama (Love Me, Love Me Not) collection is composed of five petals to be placed, together or individually, on a table or on the wall. The frame, made of precious, black-willow solid wood, is perfectly attuned to the philosophy of Horm's collections. Made in Italy.

Finishes & Materials

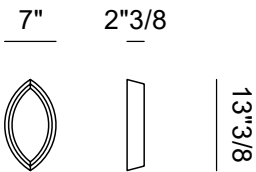
Frame: Wood.

Mamanonmama

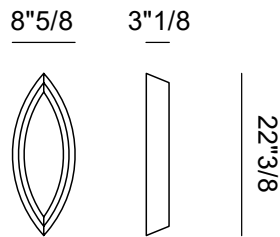
Dimensions

- Size A:** 7"W x 2"3/8D x 13"3/8H
- Size B:** 8"5/8W x 3"1/8D x 22"3/8H
- Size C:** 9"3/8W x 3"1/8D x 27"1/8H
- Size D:** 12"5/8W x 4"D x 37"H
- Size E:** 15"3/4W x 4"3/4D x 47"1/4H

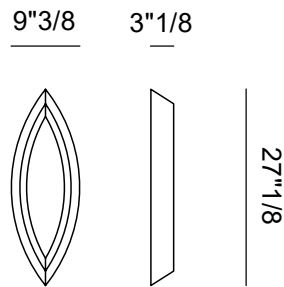
A



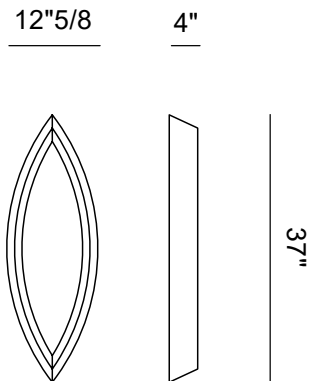
B



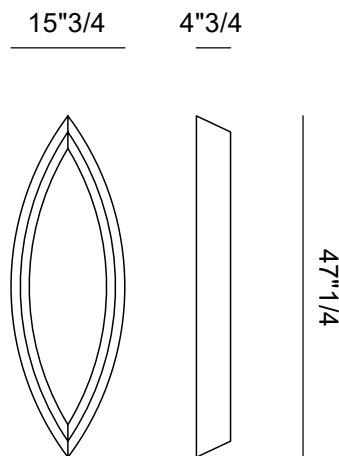
C



D

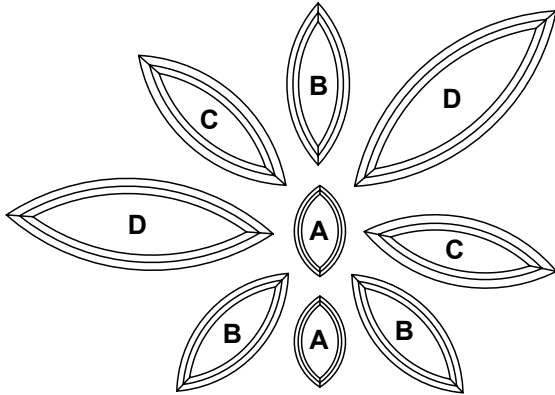


E

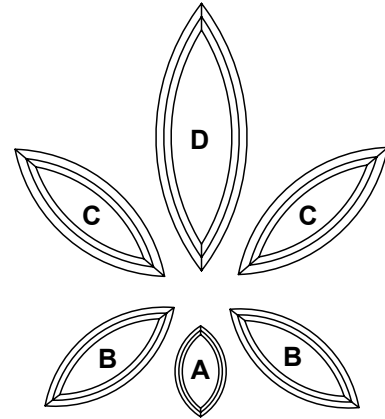


Mamanonmama

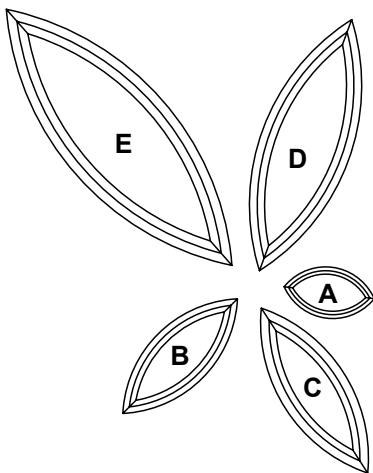
Composition A (9 mirrors)



Composition B (6 mirrors)



Composition C (5 mirrors)



Composition C (5 mirrors)

