

Tahiti High

Design: Renato Zamberlan



Description

The elegant Tahiti High bed comes covered in premium leather, fabric or eco-leather and the feet are made of solid beechwood with a mocha, natural or white lacquer finish. The cover is removable and washable. The bed frame can be dismantled for easy transport. Slatted base included. Mattress NOT included. Decorative cushions available on request. Made in Italy.

Finishes & Materials

Headboard & bedframe cover: Fabric or leather.

Feet: Wood.

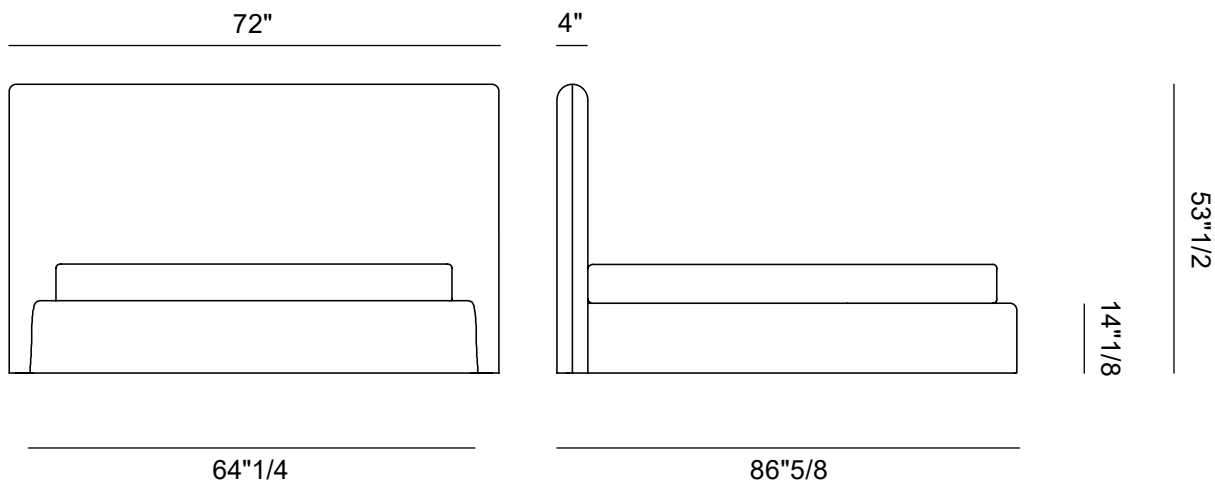
Tahiti High

Dimensions

Queen Size: 72"W x 86"5/8D x 53"1/2H (To fit American Queen Size mattress: 60" x 80")

King Size: 88"1/4W x 86"5/8D x 53"1/2H (To fit American King Size mattress: 76"3/4 x 80")

Queen Size



King Size

