

Milk

Design: Paolo Cappello

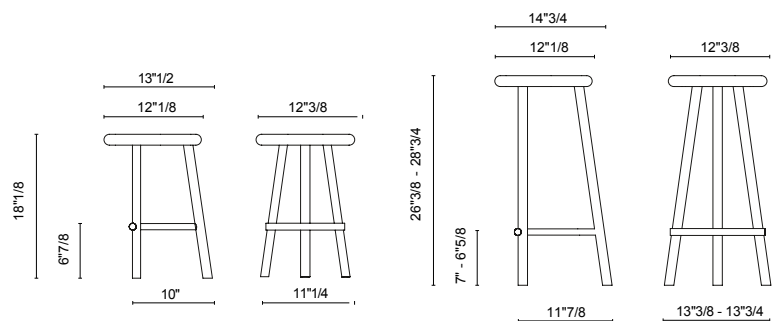


Description

The concept for Milk is found in the chairs used in the past for milking. It is a homage to rural tradition, where everything is proudly made at home, between exposed brick and acres of greenery. Made in Italy.

Dimensions

Low: 11"1/4W x 13"3/8D x 18"1/8H
Medium: 13"3/8W x 14"3/4D x 26"3/8H
High: 13"3/4W x 15"1/8D x 28"3/4H



Finishes and materials

Base: Zinc coated or lacquered metal.
Seat: Natural Beech wood.