

Botticelle

Design: Andrea Lucatello



Description

Suspension lamp with round metal body and blown glass diffusers, available in different colors and configurations.

Sophistication and quality of details are hardly unnoticed, and Botticelle lamps are the perfect example of that. The undisputed protagonist is crystal which, shining, reflects a wonderful dance of colors. In this poetry, every lampshade marries the light, welcoming it with a precious ring that forever seals their bond and gives us a moment of magical wonder. Made in Italy.



Botticelle

Dimensions

S Small: Ø6"1/4 x 6"1/2H

L Large: Ø7"7/8 x 8"H

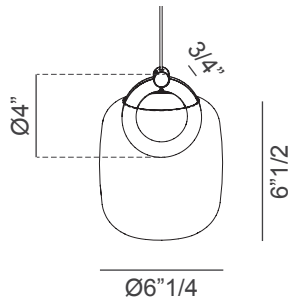
Ring S: Ø4" x 3/4"

Ring L: Ø5"1/8 x 3/4"H

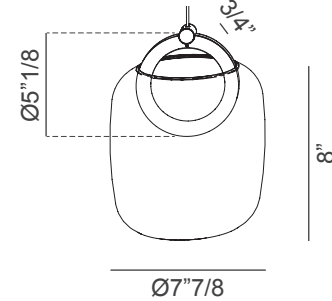
Cable length:

98"3/8 for all compositions

S Small

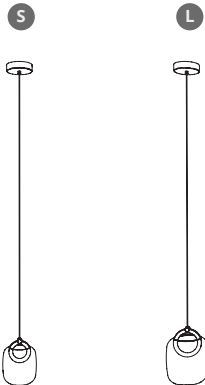


L Large



Composition 1

Canopy: Ø4"3/8 x 1"H

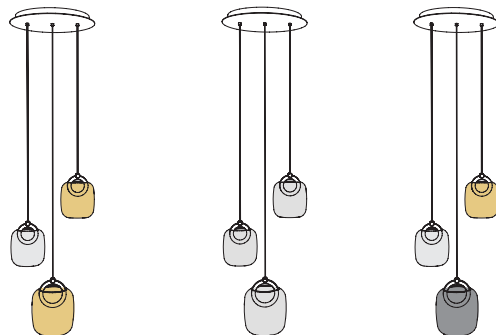


VERSION 1-S VERSION 1-L
 ● CR14 ● CR20 ● CR22

Composition 3

Canopy: Ø15"3/4 x 2"H

S 2x **L** 1x

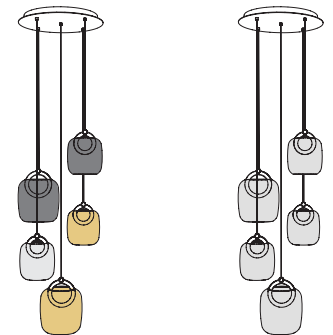


VERSION 3-A VERSION 3-B VERSION 3-C
 ● CR14 ● CR14 ● CR14
 ● CR20 ● CR20 ● CR20
 ● CR22

Composition 5

Canopy: Ø15"3/4 x 2"H

S 3x **L** 2x



VERSION 5-A VERSION 5-B
 ● CR14 ● CR14
 ● CR20 ● CR20
 ● CR22

Technical info. 1

1-S 3,6W | 300 lumen

1-L 4,5W | 380 lumen
 3000 K

Driver LED
 input 100-240V
 output 24v

Not dimmable

Technical info. 3

12 W

980 lumen
 3000 K

Driver LED
 input 100-240V
 output 24v

Dimmable
 0-10V / 10v PWM / resistance

Technical info. 5

20 W

1660 lumen
 3000 K

Driver LED
 input 100-240V
 output 24v

Dimmable
 0-10V / 10v PWM / resistance

Botticelle

Dimensions

S Small: Ø6"1/4 x 6"1/2H

L Large: Ø7"7/8 x 8"H

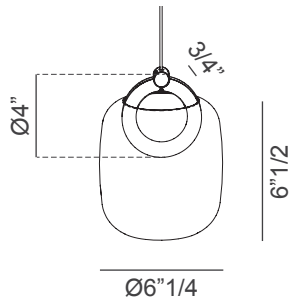
Ring S: Ø4" x 3/4"

Ring L: Ø5"1/8 x 3/4"H

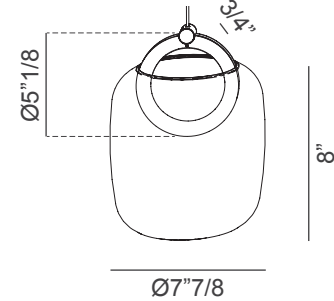
Cable length:

98"3/8 for all compositions

S Small



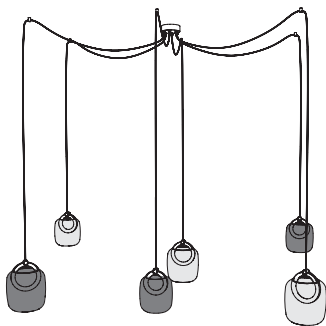
L Large



Composition 6

Canopy: Ø10"5/8 x 2"H

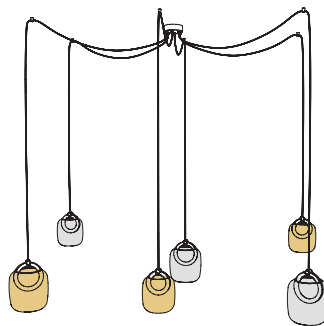
S 3x **L** 3x



VERSION 6-A

● CR14

● CR22



VERSION 6-B

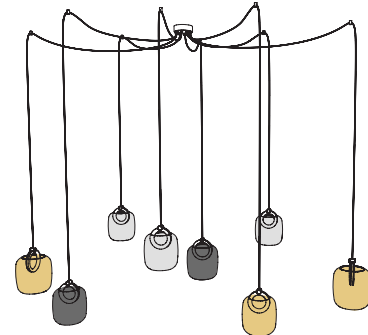
● CR14

● CR20

Composition 8

Canopy: Ø10"5/8 x 2"H

S 4x **L** 4x



● CR14

● CR20

● CR22

Technical info. 6

26 W
2040 lumen
3000 K

Driver LED
input 100-240V
output 24v

Dimmable
0-10V / 10v PWM / resistance

Technical info. 8

33 W
2700 lumen
3000 K

Driver LED
input 100-240V
output 24v

Dimmable
0-10V / 10v PWM / resistance