

Papillon

Design: Andrea Lucatello



Description

Fixed dining table with solid wood base. Top available in different sizes, shapes and finishes.

The sinuous base of Papillon simulates the wing stroke of a butterfly, its solid wood figure gives life to sculptural geometries. The top of this table floats with its different materials within the living space with elegance and refinement. Made in Italy.



Papillon

Dimensions

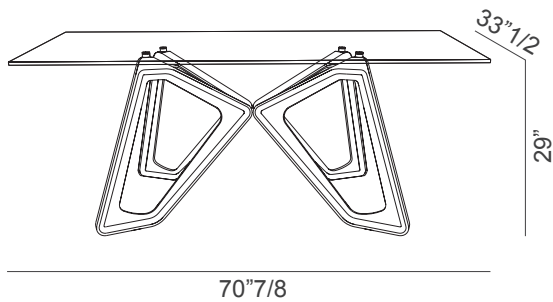
Rectangular top

A: 70"7/8W x 35"3/8D x 29"H

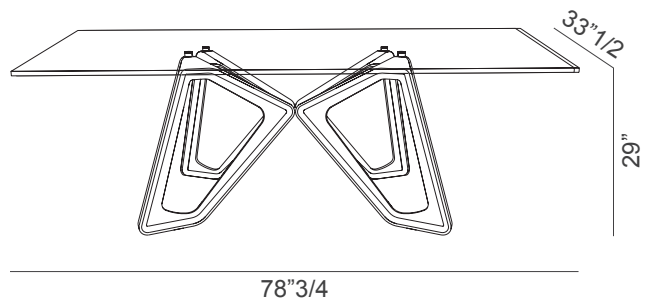
B: 78"3/4W x 39"3/8D x 29"H

C: 94"1/2W x 43"1/4D x 29"H

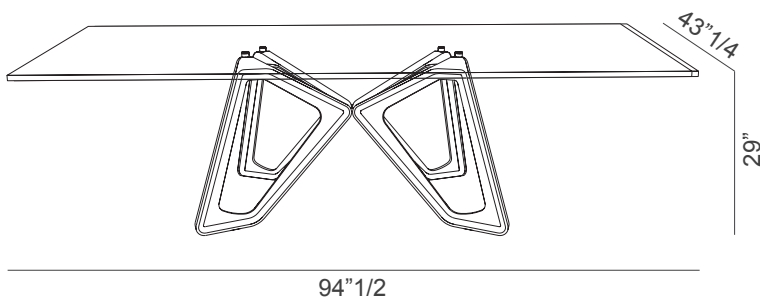
A Glass and Marble Glass top  8x



B Pyroceramic, glass and Marble Glass top  10x



C Glass top  12x

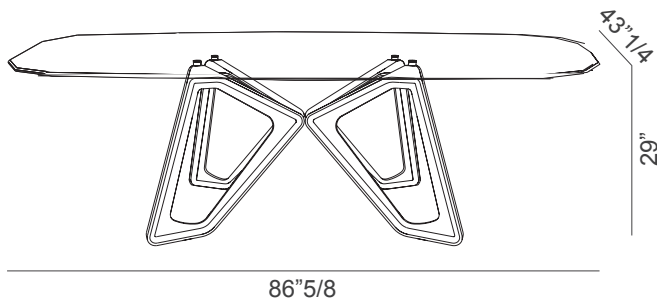


Shaped top

D: 86"5/8W x 43"1/4D x 29"H

E: 94"1/2W x 47"1/4D x 29"H

D Pyroceramic, glass and Marble Glass top  10x



E Glass top with diamond edge  12x

