

Matisse

Design: Toshiyuki Yoshino

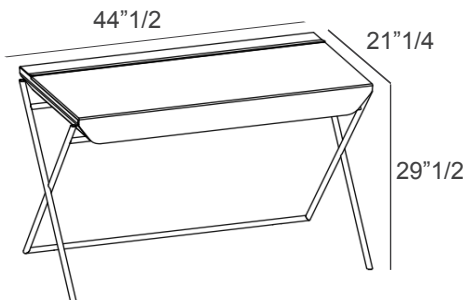


Description

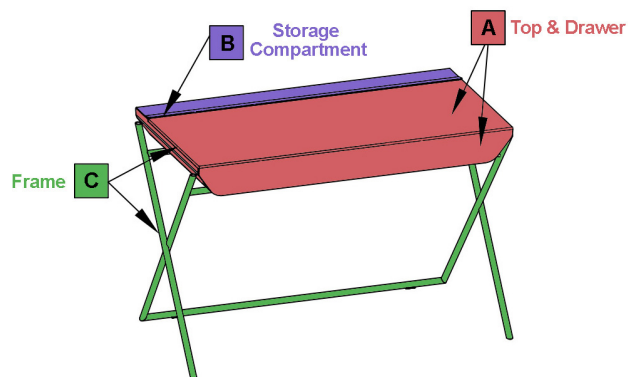
Functionality, synthesis, and sober design make Matisse a practical piece of furniture. It is a desk useful to create a reading corner, a minimal desk for home office workspaces and can also be used as a console. Finely equipped, this desk, with its contained dimensions and its slim structure states the incessant pursuit of innovation: the glove compartment enriches the desk design, the retractable drawer is a useful space that allows to create aesthetic order in minimal, yet refined environment. Made in Italy.

Dimensions

44"1/2W x 21"1/4D x 29"1/2H - Cod. 06.39



Color combination reference



Finishes & Materials

Top & Drawer: Veneer wood.

Storage Compartment: Hide Leather.

Frame: Lacquered metal.