

# Midas

*Design: Emanuele Genuizzi*



## *Description*

Midas is the special edition of the WA table embellished with a dazzling livery: the legs and the top are covered in 22 kt pure gold leaf, in contrast with the glossy lacquered beam under the top.

A generously proportioned dining table with a thick top and angled legs, whose elegant design is enhanced and enriched by the curve of its contrasting lacquered beam. Available in 4 different sizes (for 8, 10, 12 or 14 people), the real revolution of this table lies in the fact that it is made up of only four elements (a top, two legs and a beam under the top), which can be assembled together in five minutes. With the exception of two metal studs with the brand monogram, used to fix the beam under the top, the assembly of Midas does not require the use of hardware. The pieces fit together thanks to dowels, and the structure is very solid. This table is inspired by the Japanese tradition, to which the name also refers, evoking the concept of harmony and peace. Made in Italy.

### **Technical information:**

Structure (top and base): MDF finished in pure gold leaf (22 kt).

Beam: MDF finished in glossy lacquer.

## Midas

### Dimensions

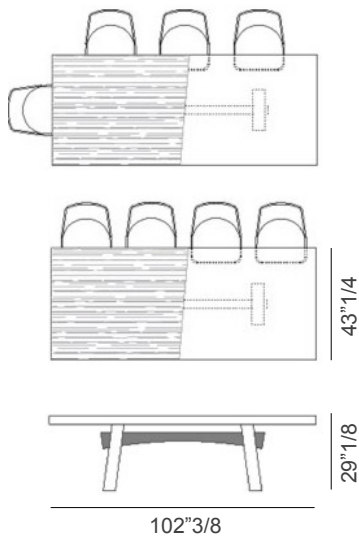
**Midas A:** 102"3/8W x 43"1/4D x 29"1/8H

**Midas B:** 126"W x 43"1/4D x 29"1/8H

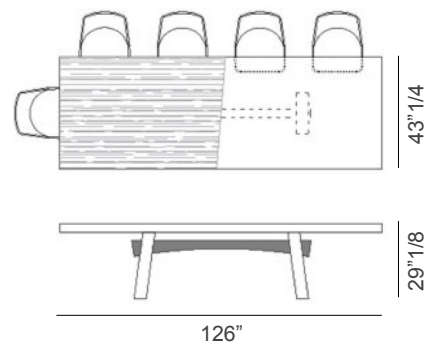
**Midas C:** 149"5/8W x 47"1/4D x 29"1/8H

**Midas D:** 165"3/8W x 47"1/4D x 29"1/8H

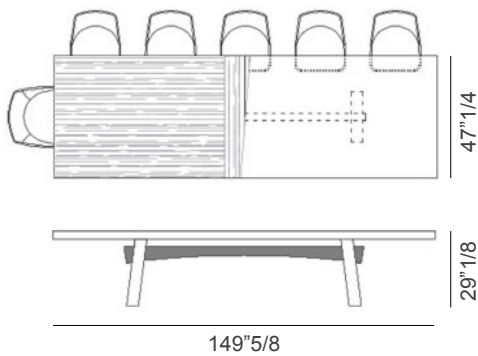
**Midas A - 8 people**



**Midas B - 10 people**



**Midas C - 12 people**



**Midas D - 14 people**

