

WA

Design: Emanuele Genuizzi



Description

Generously proportioned dining table with a thick top and angled legs, whose elegant design is enhanced and enriched by the curve of its contrasting lacquered beam. Available in 4 different sizes (for 8, 10, 12 or 14 people), the real revolution of the WA lies in the fact that it is made up of only four elements (a top, two legs and a beam under the top), which can be assembled together in five minutes. With the exception of two metal studs with the brand monogram, used to fix the beam under the top, the assembly of the WA does not require the use of hardware.

The pieces fit together thanks to dowels, and the structure is very solid. In the linearity of the shapes and in the choice of natural materials, WA is inspired by the Japanese tradition, to which the name also refers, evoking the concept of harmony and peace. Made in Italy.

Technical information:

Structure (top and base): mdf finished in veneer or glossy lacquer.

Beam: MDF finished in glossy lacquer.

WA

Dimensions

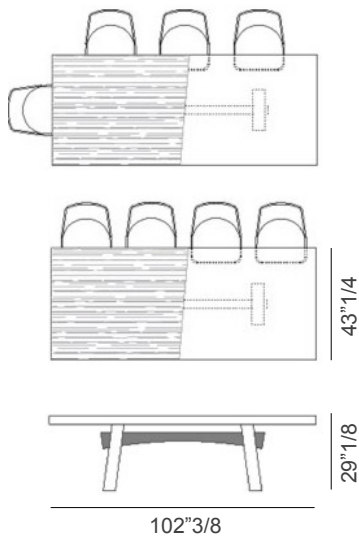
WA table A: 102³/₈W x 43¹/₄D x 29¹/₈H

WA table B: 126"W x 43¹/₄D x 29¹/₈H

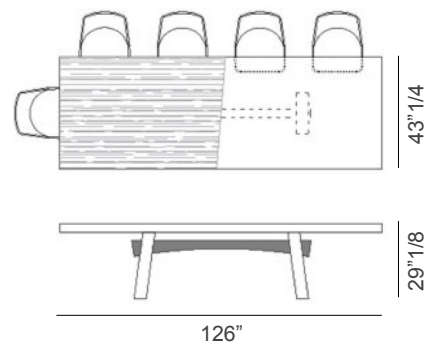
WA table C: 149⁵/₈W x 47¹/₄D x 29¹/₈H

WA table D: 165³/₈W x 47¹/₄D x 29¹/₈H

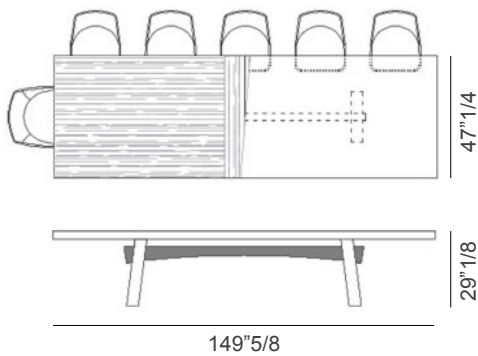
WA Table A - 8 people



WA Table B - 10 people



WA Table C - 12 people



WA Table D - 14 people

