

Anna

Design: Studio Kronos



Description

The Anna family of seats includes several variants of this minimal modern chair. Comfort is at the heart of the Anna collection of design chairs, whose seats and backrests are fully padded with variable density to facilitate ergonomics.

Available in the high backrest version to further support the posture, this modern dining chair is also available in the version with armrests, which represents a true piece of contemporary design. The wide range of coverings allows to easily customize these seats by matching the soft leather and fabric shades with the finishes of the legs. Made in Italy.



Isabel

Dimensions

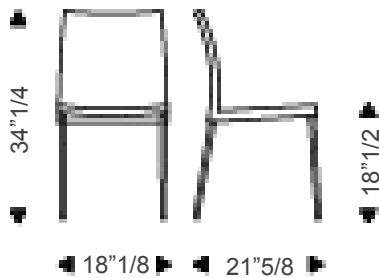
Chair Low: 18"1/8W x 21"5/8D x 34"1/4H (SH: 18"1/2)

Armchair Low: 21"1/4W x 21"5/8D x 34"1/4H (SH: 18"1/2 , AH: 26"3/8)

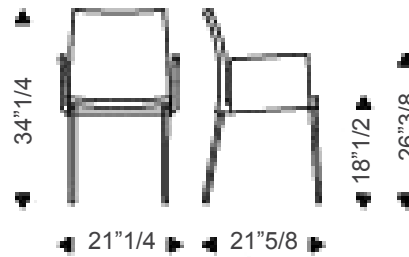
Chair High: 18"1/8W x 21"5/8D x 41"3/8H (SH: 18"1/2)

Armchair High: 21"1/4W x 21"5/8D x 41"3/8H (SH: 18"1/2 , AH: 26"3/8)

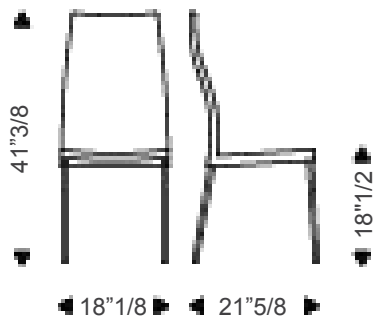
Chair Low



Armchair Low



Chair High



Armchair High

