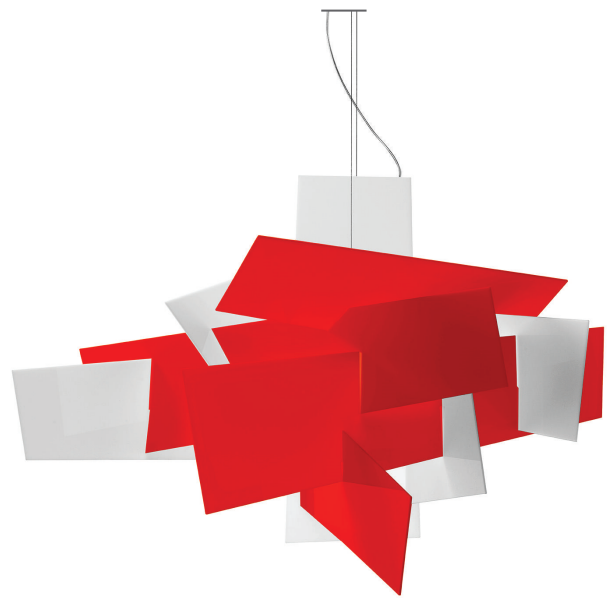


Big Bang

Design: Enrico Franzolini and Vicente Garcia Jimenez



Description   IP 20

The luxury Big Bang suspension lamp. The lamp consists of an epoxy powder coated aluminum plate and 6 different translucent methacrylate slabs. Made in Italy.

Finishes and materials

Slabs: Methacrylate.

Plate: Aluminum.

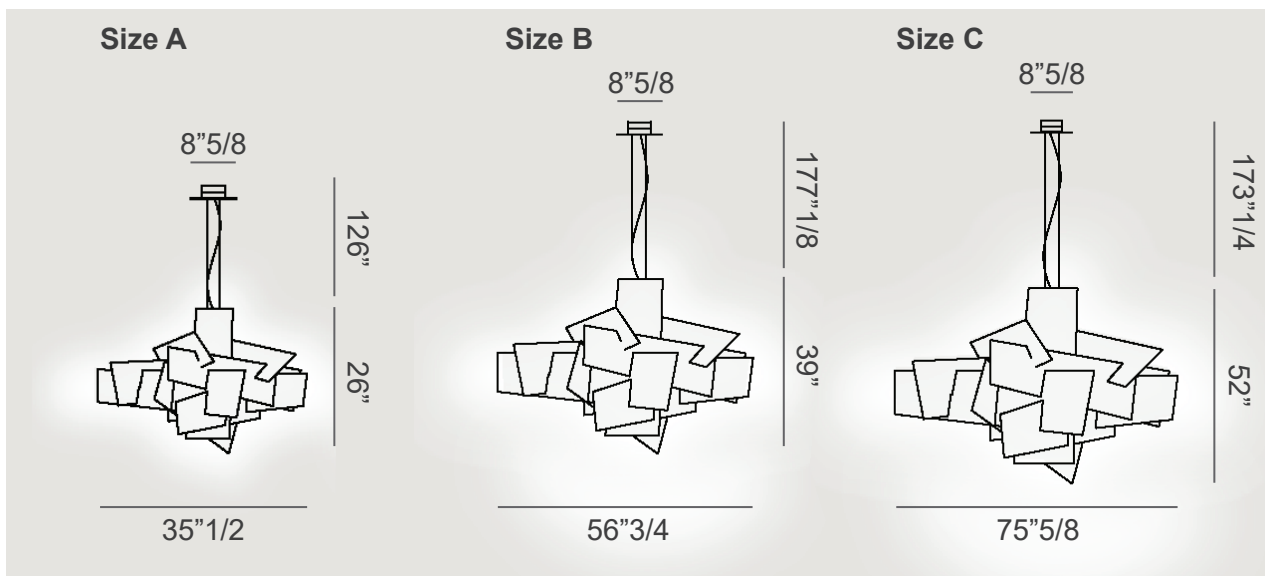
Big Bang

Dimensions

Size A: Ø35"1/2 x 26"H

Size B: Ø56"3/4 x 39"H

Size C: Ø75"5/8 x 52"H



Technical data



Size A RSC

Max 1x200W RSC

Size A LED

LED included
41W 3000 K
3260 lm CRI>90
Dimmable 1-10V
On-Off/1-10V

Size A LED 3 wires

LED included
41W 3000 K
3260 lm CRI>90
Dimmable 1-10V
3-wire/1-10V/ EcoSystem/On-Off

Size B

LED included
Dimmable
66W 3000 K
6084 lm CRI>90
On-Off/1-10V

Size C

LED included
Dimmable
98W 3000 K
9126 lm CRI>90
On-Off/1-10V