

Caboche Plus

Design: Patricia Urquiola and Eliana Gerotto



Description IP 20

The luxury Caboche Plus LED ceiling lamp. High-end structure comprising transparent PC arches, onto which a series of PMMA spheres are applied. Made in Italy.

Finishes & Materials

Diffuser: PMMA.

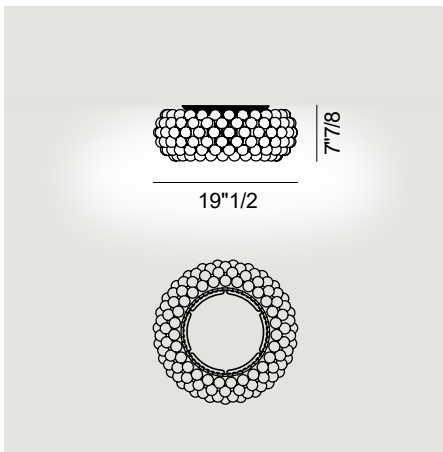
Inside diffuser: Blown glass.

Mount: Metal.

Caboche Plus

Dimensions

Ø19"1/2 x 7"7/8H



Technical Data



32,5W 2700 K

3645 lm CRI>90

Dimmable

possible configurations:

On-Off/1-10V/Dual dimming

120-277V