

Cantle

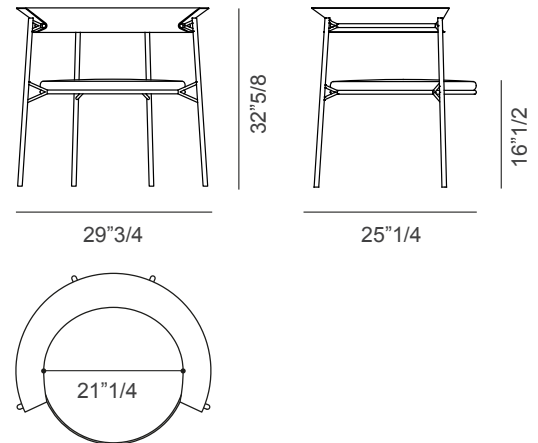
Design: Marco Lavit



Dimensions

29"3/4W x 25"1/4D x 27"1/2H

Seat height: 16"1/2



Description

The equestrian inspiration underlies the Cantle collection. The term “cantle” refers to the back of the saddle, which is usually curved and offers the rider a secure and comfortable seat. In this lounge chair, the backrest takes the form of an arc of a circle that embraces the body and determines its posture. The backrest and seat are supported by a steel structure that draws a surprisingly sophisticated silhouette and are anchored to V-shaped supports. This same element not only characterizes the collection, but also allows for a reduction in material consumption by eliminating the padding on the back of the backrest: a detail enhanced by the double-sided upholstery in leather and fabric sewn together, an element of savoir-faire evoking sartorial refinement.

The structure is made of tubular metal of different diameters (legs Ø7”, backrest Ø5”1/2, joints Ø4”) and coated with powder paint (micro-embossing) in matt graphite grey. Nylon feet. The backrest is made of a curved Baydur rigid polyurethane element and a polyurethane foam padding. The upholstery is available in fabric or leather, except for the rear part of the backrest which is upholstered in saddle leather. The seat is composed of a glass-filled nylon disc and polyurethane foam padding.

Made in Italy.