

NVL

Design: Jean Nouvel Design



Description

A table with contemporary lines and characterized by a strong personality. The simplicity of the geometric shapes harmoniously dialogues with the solidity of the material and plays with contrasts: the top appears thin and light and seems floating above the base. The central support is composed of two volumes that thin upwards and create two symmetrical bases that support the top, thus recalling the principle of trilith, a structure consisting of two vertical elements supporting a third element set horizontally across the top.

Simple and elegant, thanks to its round shape it encourages the conviviality among guests in dining rooms or living rooms. In its oval shape it fits perfectly in contract and working contexts, such as executive offices, meeting and representative rooms, encouraging the exchange of ideas between the participants. With a refined top in marble, NVL Table reveals its extreme elegance in any environment. Made in Italy.

Technical information:

Marble top with matt or glossy polyester protection: matt or glossy Calacatta gold with matching base in matt or glossy warm white lacquer; matt or glossy white Carrara with matching base in matt or glossy white lacquer; matt or glossy black Marquinia with matching base in matt or glossy black lacquer.

NVL

Dimensions

Round top:

A) $\text{Ø}59'' \times 29''\frac{1}{8}\text{H}$

Base: $\text{Ø}19''\frac{5}{8}$

B) $\text{Ø}70''\frac{7}{8} \times 29''\frac{1}{8}\text{H}$

Base: $\text{Ø}23''\frac{5}{8}$

Oval top:

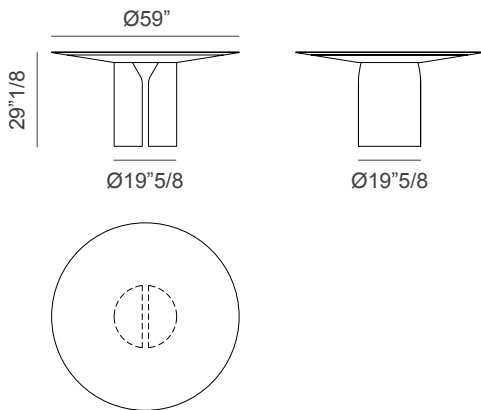
C) $78''\frac{3}{4}\text{W} \times 47''\frac{1}{4}\text{D} \times 29''\frac{1}{8}\text{H}$

Base: $23''\frac{5}{8} \times 14''\frac{1}{8}$

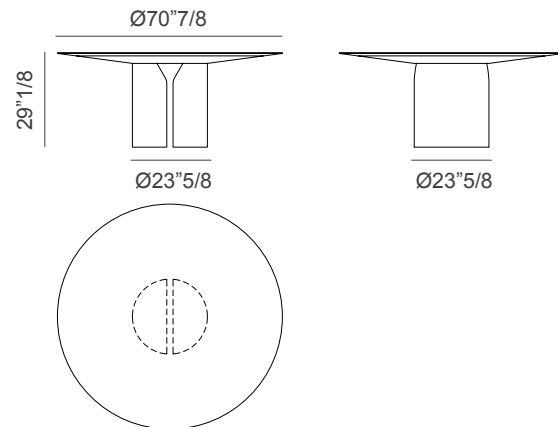
D) $98''\frac{3}{8}\text{W} \times 51''\frac{1}{8}\text{D} \times 29''\frac{1}{8}\text{H}$

Base: $23''\frac{5}{8} \times 14''\frac{1}{8}$

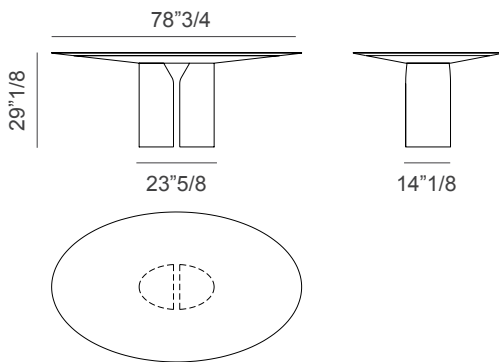
ROUND TABLE A



ROUND TABLE B



OVAL TABLE C



OVAL TABLE D

