

Milano

Design: SBGA | Blengini & Ghirardelli



Description

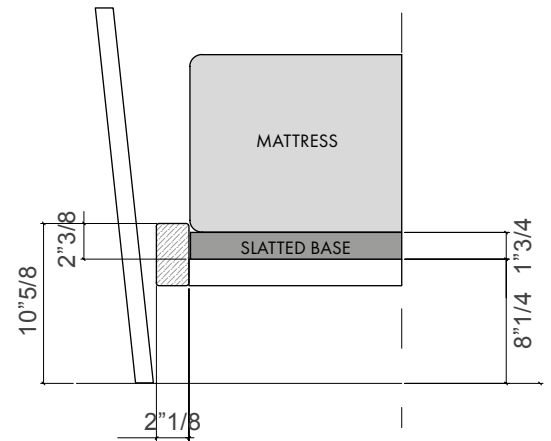
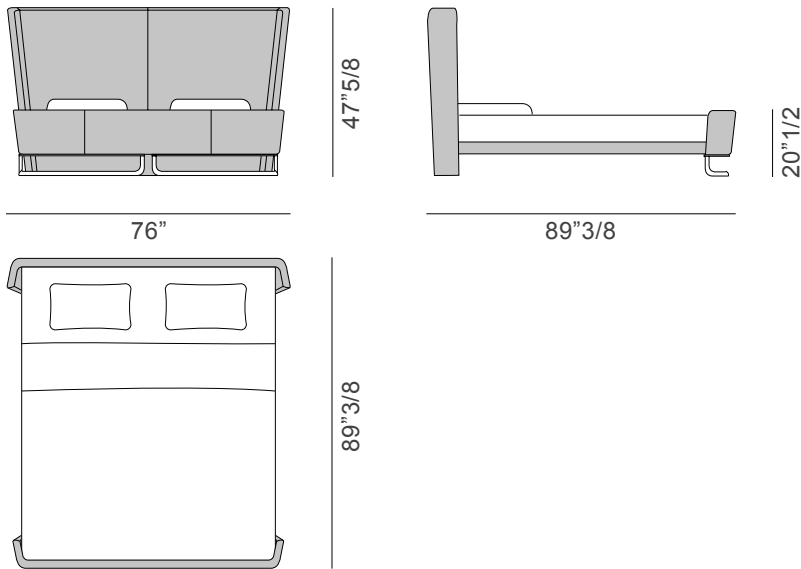
Double bed with structure in plywood and solid wood, padded with polyurethane foam in different densities. Pre-upholstery: polyester wadding. Non-removable upholstery in fabric or leather. Curved metal legs in Brushed Nickel finish. Plastic slides. Slats included. Mattress NOT included. Made in Italy.



Milano

Dimensions

Queen size: 76"W x 89"3/8D x 47"5/8H
 To fit American Queen Size mattress: 60" x 80"



Slats included. Mattress NOT included.

King size: 91"3/4W x 89"3/8D x 47"5/8H
 To fit American King Size mattress: 76" x 80"

