

Milano

Design: SBGA | Blengini & Ghirardelli



Description

Sofa with structure in MDF, plywood and solid wood padded with polyurethane foam in different densities. Cushions in channeled goose down with polyurethane insert in different densities. Decorative cushions available separately. Pre-upholstery: polyester wadding. Non-removable upholstery in leather for structure. Removable upholstery in fabric or leather for the cushions. Plain or woven leather structure panels. In case of plain panels, fabric upholstery is allowed. In case of woven leather panels please note that should the selected leather be white/light color, the grey color of the back side will be visible when cut; whereas choosing dark or colored leathers, the color difference when cutting will be less evident. This feature is not to be considered a defect or a complaint reason. Metal base in Brushed Nickel finish. Plastic slides. Made in Italy.



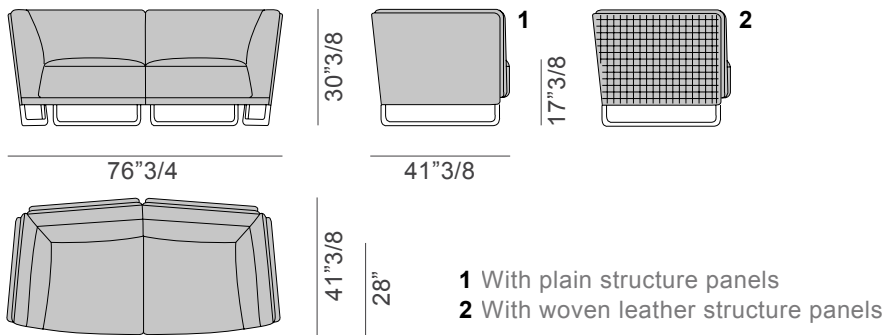
Milano

Dimensions

A: 76"3/4W x 41"3/8D x 30"3/8H

B: 108"1/4W x 41"3/8D x 30"3/8H

A 2 seater



B 3 seater

