

Afrodite

Design: Giovanni Luca Ferreri



Description

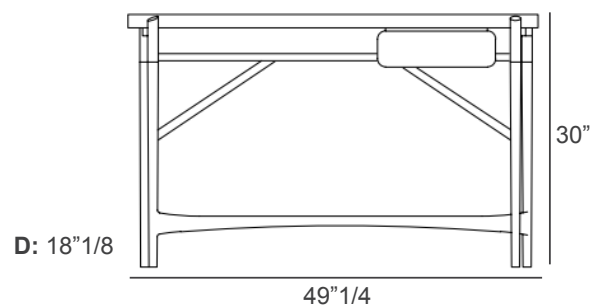
Each and every single piece of this luxury collection is born and inspired by the geometries and shapes of nature.

Details and finishes in all the furnishings and accessories of this Italian vanity express these roots – this is a high-end piece inspired by the Nordic tradition, revisited through the skills and expertise of high Italian artisan craftsmanship.

It combines wood with metal in order to wonderfully enhance its qualities. Made in Italy.

Dimensions

49"1/4W x 18"1/8D x 30"H - Cod. 2018-84, 2018-74



Finishes & Materials

Top: Lacquered.

Top Insert: Leather.

Structure: Ash wood or solid walnut.

Upper Tips & Drawer Front: Metal.