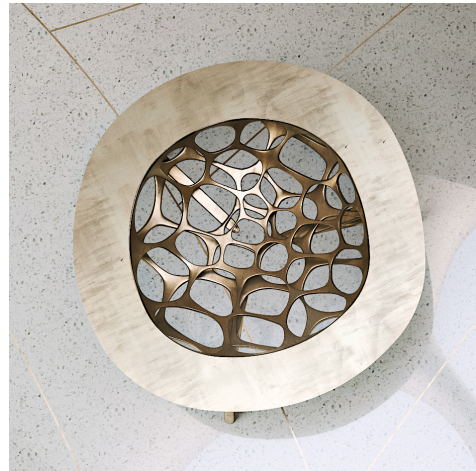


Pegaso

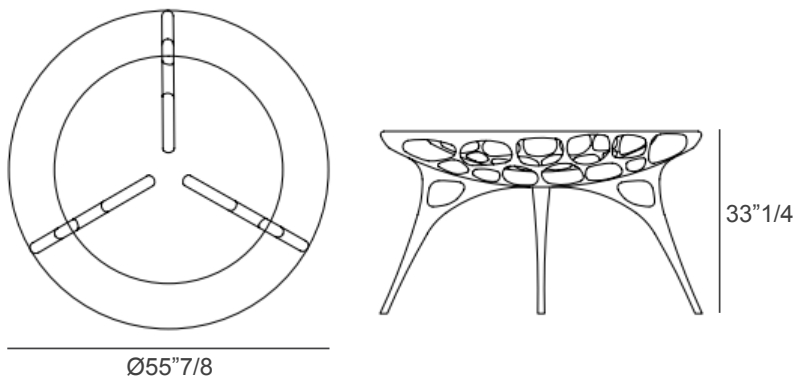


Description

Each and every single piece of this collection is born and inspired by the geometries and shapes of nature. Details and finishes in all the furnishings and accessories of this sculpture table express these roots – this is a collection inspired by the Nordic tradition, revisited through the skills and expertise of high Italian artisan craftsmanship. A wide range of wood finishes are offered in numerous versions, combining them with metal in order to wonderfully enhance their qualities. Made in Italy.

Dimensions

Ø55"7/8 x 33"1/4H



Finishes & Materials

Top: Crystal.

Base: Solid wood with Lacquered finish.