

Genio

Design: Enio Calosi & Amedeo De Maria



Description

A contemporary extendable table featuring a dynamic design with legs for a bold yet refined look. An automatic movement, inspired by the finest watchmaking industry, reveals an unconventional design. Glass petals approach the central crown-top to accommodate your special guests, creating a telescopic synchronized opening mechanism.

Made in Italy.

Finishes & Materials

Top: Glossy Lacquered Glass or Velvet Matt Anti-Scratch Lacquered Glass.

Legs: Lacquered Metal.

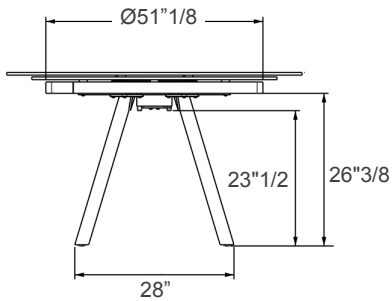
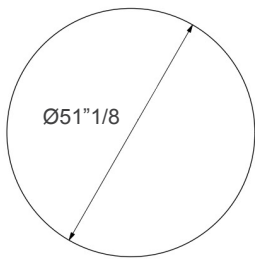
Giro

Dimensions

Closed: Ø51"1/8 x 29"1/2H

Open: 82"5/8W x 51"1/8D x 29"1/2H

Closed



Open

