

Louis

Design: Marco Corti



Description

Louis is a high-end table with a sculptural presence, majestic, disruptive, sophisticated. Its formal poetry is evident in an apparent simplicity: the ethereal structure consisting of ovals in stark contrast to the horizontality of the top creating a singular play of perspectives and an impeccable balance of shapes.

Made in Italy.

Finishes & Materials

Top: Glossy Lacquered Glass, Matt Velvet Anti-Scratch Lacquered Glass, Veneer, Matt or Glossy SuperMarble.

Frame: Lacquered Metal.

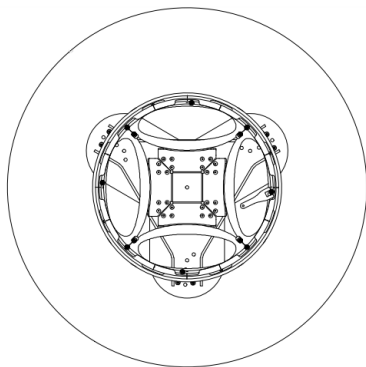
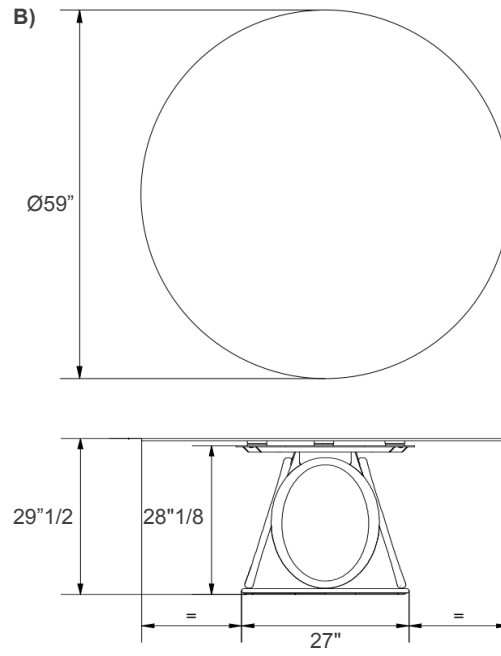
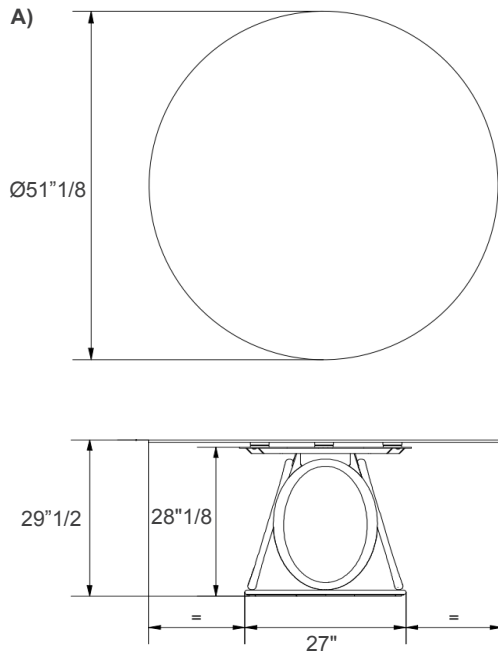
Please note: The available finishes for the top vary depending on the size of the table.

Louis

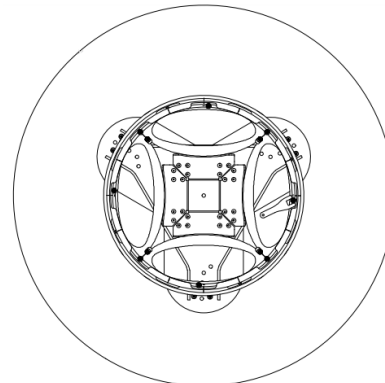
Dimensions

A) $\text{Ø}51\frac{1}{8}$ x $29\frac{1}{2}$ H - Cod. 53.62

B) $\text{Ø}59$ x $29\frac{1}{2}$ H - Cod. 53.63



Underside view



Underside view