

Belloalto

Design: Gabriele & Oscar Buratti



Description

Belloalto is the new modular sofa system designed by Gabriele and Oscar Buratti for Bonaldo.

The name itself is a declaration of intent: as can be seen the distinctive feature is the generous height of the backrest which offers perfect support for the shoulders and head and an absolutely first class relaxation experience.

The two horizontal elements have a dual aesthetic and functional function: the lumbar cushion cuts horizontally across the backrest, while the wide low armrest further increases the level of comfort while balancing the sofa's overall proportions at the same time.

Belloalto is a versatile system which allows the creation of both linear and corner sofas thanks to the addition of chaise longue and terminal elements, the latter of which are also available with high armrests in line with the backrest. Made in Italy.

Finishes & Materials

Cover: Fabric, eco leather or leather.

Feet: Metal.

Belloalto

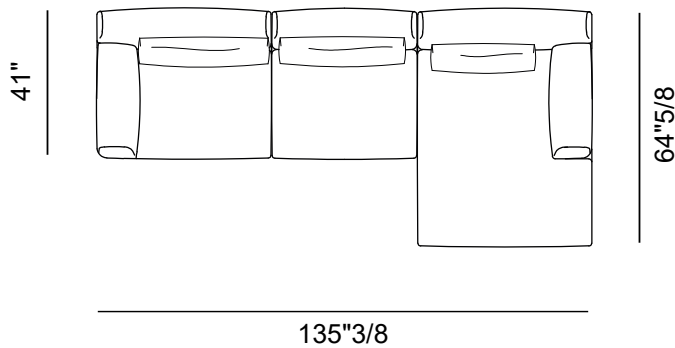
Dimensions

Comp. A: 135"3/8W x 64"5/8D x 33"H

Comp. B: 159"W x 64"5/8D x 33"H

SH: 15"3/4

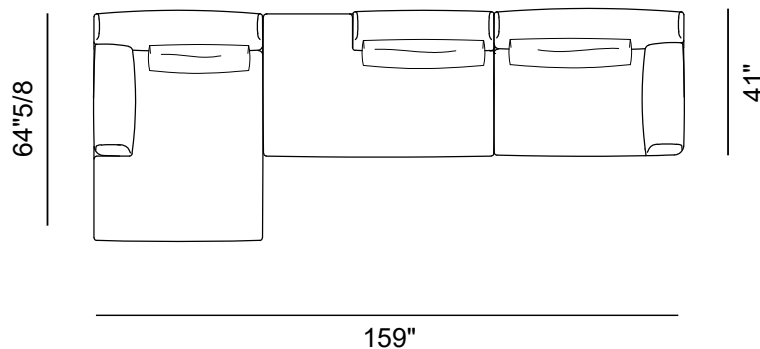
AH: 22"7/8



Comp. A

2x lumbar cushions included 27"5/8 x 13"

1x lumbar cushion included 33"1/2 x 13"



Comp. B

2x lumbar cushions included 27"1/2 x 13"

1x lumbar cushion included 33"1/2 x 13"

Belloalto

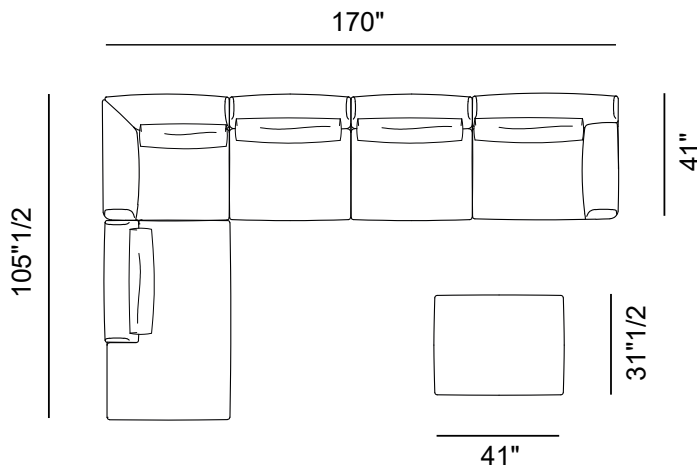
Dimensions

Comp. C: 170"W x 105"1/2D x 33"H

Comp. D: 170"W x 146"3/8D x 33"H

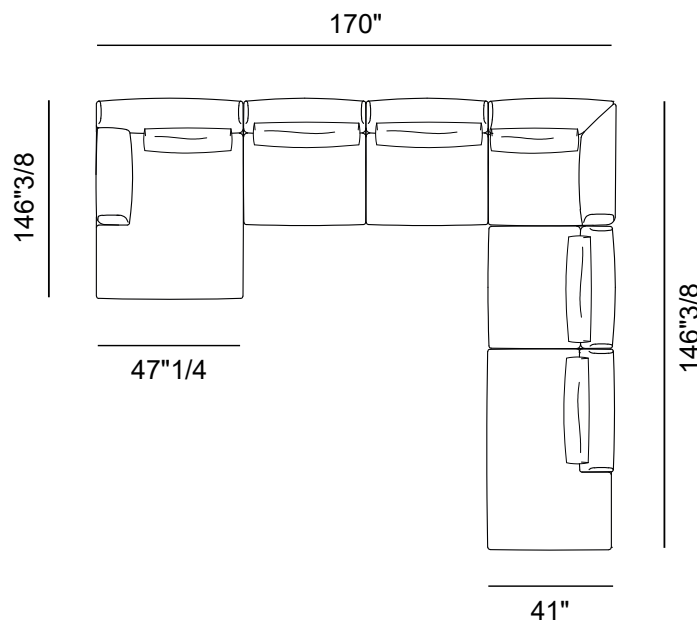
SH: 15"3/4

AH: 22"7/8



Comp. C

3x lumbar cushions included 33"1/2 x 13"
2x lumbar cushions included 27"1/2 x 13"



Comp. D

4x lumbar cushions included 27"1/2 x 13"
2x lumbar cushions included 33"1/2 x 13"