

# Flatiron

*Design: Mauro Lipparini*



## *Description*

The Flatiron coffee tables by Mauro Lipparini explore the concept of fluidity of lines.

The design fits into the architectural language used by this family of tables and desks in which the softness of the shapes is reworked with expressive coherence: the legs, consisting of two vertical panels, are arranged asymmetrically, amplifying the relationship between aesthetics and function. The shape of the top adds dynamism to the structure, giving the table a fluid movement that enhances its geometric purity.

The choice of proportions, together with the simplicity of the volumes, guarantees a balance that enhances the spatial composition.

The versatility of the collection is expressed through the possibility of using the tables in pairs, creating configurations that either enter into dialogue with the surrounding environment, or which act individually, where each element takes on an independent sculptural value. Made in Italy.

## *Finishes & Materials*

**Top:** Wood veneer.

**Legs:** Matt lacquered wood.

**Inserts:** Metal.

## Flatiron

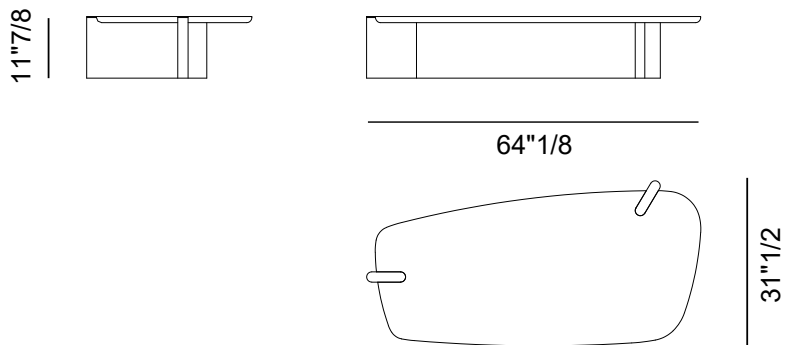
---

### Dimensions

Size A: 64"1/8W x 31"1/2D x 11"7/8H

Size B: Ø48"7/8 x 13"3/8H

#### Size A



#### Size B

