

# Flatiron

*Design: Mauro Lipparini*



## *Description*

The unconventional and asymmetrical architecture of the Flatiron table defines its identity, creating a scenic presence with a strong visual impact.

The top, characterized by a slightly trapezoidal shape and soft, curved edges, is available in three sizes, enhancing the versatility of a table designed to integrate naturally into prestigious residential environments.

To meet different design needs, the Flatiron table is available in different versions: Mono Material, with a wooden top and base for a highly harmonious overall vision, or Double Material with a marble base that elegantly matches the wooden top.

A further option is the Free Combination, which allows for a free combination of the materials of the wooden top and lacquered wooden base in lead and bronze tones.

Made in Italy.

## *Finishes & Materials*

**Top:** Wood veneer.

**Legs:** Wood veneer, marble or matt lacquered wood.

**Inserts:** Metal.

## Flatiron

---

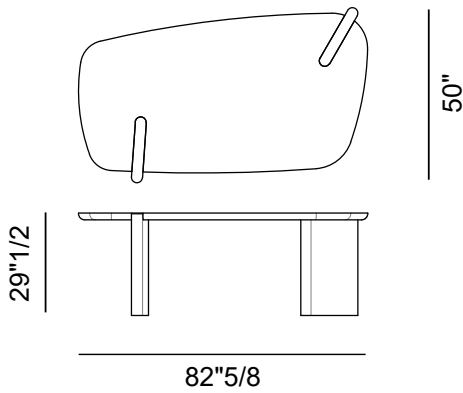
### Dimensions

**Size A:** 82"5/8W x 50"D x 29"1/2H

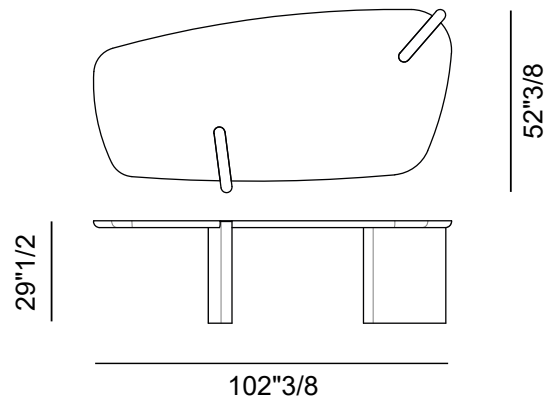
**Size B:** 102"3/8W x 52"3/8D x 29"1/2H

**Size C:** 122"W x 55"7/8D x 29"1/2H

Size A



Size B



Size C

