

## Isabey

*Design: Gabriele & Oscar Buratti*



### *Description*

Designed by Gabriele and Oscar Buratti, the Isabey family of coffee tables revisits the principle of the twin supporting column in a contemporary key: the traditional vertical element becomes a close twin tubular support, defining the identity of a collection that is divided into square and rectangular shapes with rounded corners, asymmetrical bases and variable heights in a balance between mass and lightness, stability and suspension.

Designed for both living and sleeping areas, the Isabey coffee tables offer versatile support solutions, configurable as mobile and stackable satellites.

The design encourages movement in that each element can be moved, combined or overlapped, transforming each space with complete freedom.

Made in Italy.

### *Finishes & Materials*

**Top:** Wood veneer, glass, ceramic or marble.

**Base:** Metal.

## Isabey

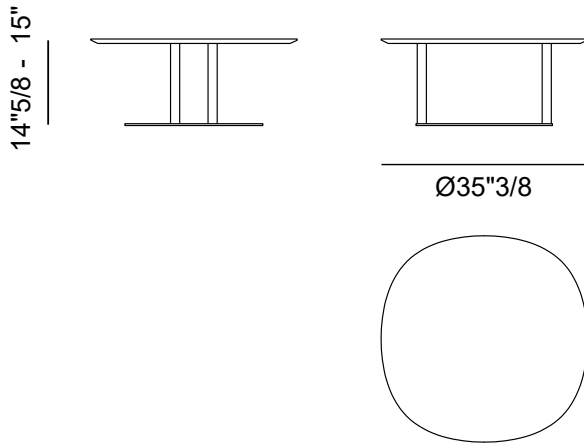
---

### Dimensions

**Size A:**  $\text{Ø}35\text{"}3/8 \times 14\text{"}5/8\text{H}$ (15" if veneered wood or marble top)

**Size B:**  $63\text{"W} \times 37\text{"}3/8\text{D} \times 11\text{"}3/8\text{H}$ (11"7/8 if veneered wood or marble top)

#### Size A



#### Size B

