

Palazzo

Design: Matilde Sessolo



Description

The Palazzo table draws inspiration from observing historical architecture and in particular, the Florentine Renaissance facades characterized by massive blocks of rough stone, a symbol of strength and power.

The interplay of light and shadow on the majestic surfaces of the buildings translates into the design of the base, composed of two symmetrical elements molded in high-density polyurethane that come together to form an imposing but light and at the same time elegant support structure.

The aesthetic balance of the table is also influenced by the choice of the barrel-shaped top, which is available in wood, ceramic and marble.

Palazzo reinterprets the architecture of the past through a modern idiom, bringing history into interior design by combining strength, elegance and contemporaneity.

Made in Italy.

Finishes & Materials

Top: Wood veneer.

Base: Wood veneer, marble or matt lacquered wood.

Palazzo

Dimensions

Size A: 78"3/4W x 42"1/2D x 29"1/2H

Size B: 86"5/8W x 43"1/4D x 29"1/2H

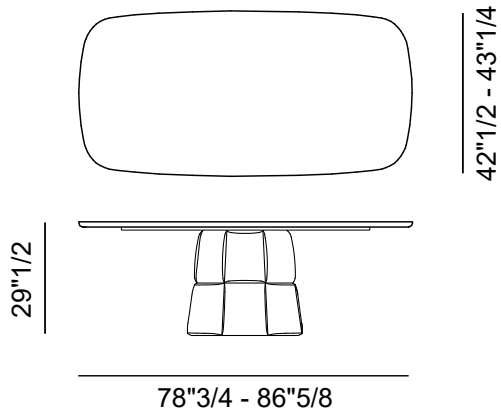
Size C: 98"3/8W x 44"D x 29"1/2H

Size D: 110"1/4W x 45"1/4D x 29"1/2H

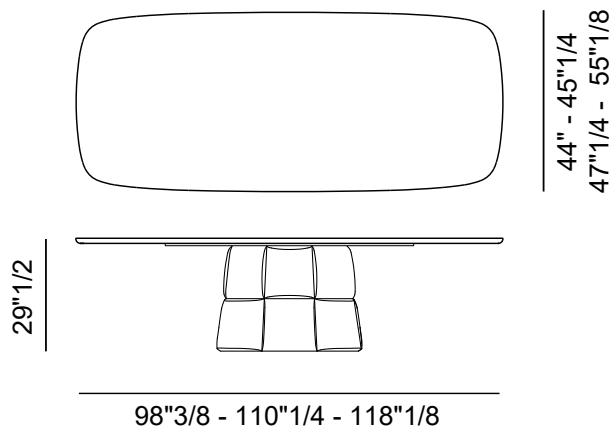
Size E: 118"1/8W x 47"1/4D x 29"1/2H

Size F: 118"1/8W x 55"1/8D x 29"1/2H

Size A - B



Size C - D - E - F



Flatiron
