

## Daily

*Design: Dainelli Studio*



### *Description*

A hymn to the extraordinary simplicity of life, an essential and versatile sectional, inspired by the small rituals that we perform almost without realizing it - like rolling up a newspaper after having leafed through it calmly. Its name, Daily, alludes both to the morning newspapers and to the concept of everyday life, and it is the perfect synthesis of a design conceived to adapt to everyday life, capable of welcoming with its comfort both moments of relaxation and those of sharing.

Made in Italy.

#### **Technical information:**

**Upholstering:** Fabric or leather. Fabric removable. Leather not removable.

**Structure:** Solid bearing firwood. Structural elements in multilayer wood panels in class E1 and panels of wood particles in class E1, infills in faesite.

**Springing:** The back is made of hardboard panels. Seat with pretensioned crossed propylene fiber and latex elastic webbing.

**Feet:** Ø1"5/8 in black finish.

Daily

---

## Dimensions

**Size A:** 130"W x 67"5/8D x 30"H

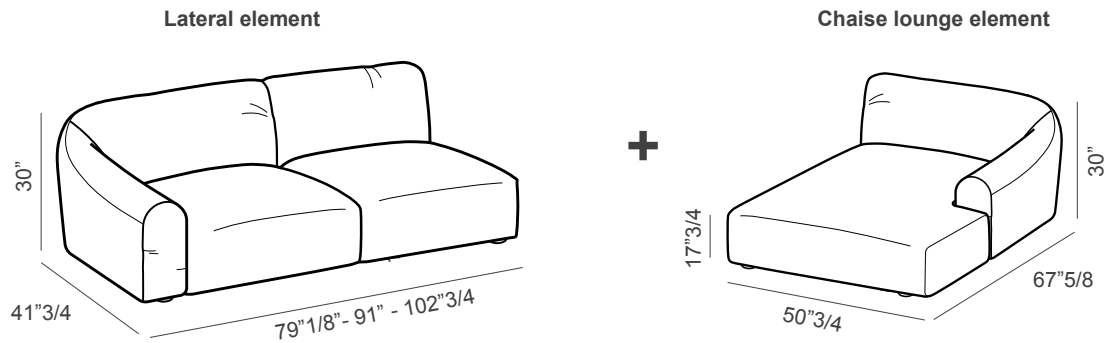
**Size B:** 141"3/4W x 67"5/8D x 30"H

**Size C:** 153"1/2W x 67"5/8D x 30"H

**Seat height:** 17"3/4

**Armrest height:** 22"7/8

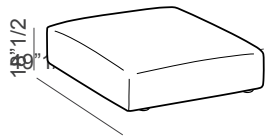
Composition as shown in picture



**Optional maxi ottoman:** 49"1/4W x 49"1/4D x 18"1/2H

**Optional ottoman:** 43"1/4W x 43"1/4D x 18"1/2H

Optional maxi ottoman



Optional ottoman

