

Altana

Design: Monica Armani



Dimensions

The Altana luxury sectional offers a modular upholstered system with a precise and elegant architecture inspired by altane, the typical Venetian roof terraces—protected places for meeting and relaxing. The distinctive features of the collection are the wooden legs with an ovoid section, which intersect at 45° with the base, generating interesting interior solutions.

Characterized by taut, tapered lines and projecting volumes, this high-end sectional was designed to offer optimal comfort.

Backrest cushions are included and can be selected either in a matching cover or in a contrasting one. Optional armrest and square soap-shaped cushions are also available.

The number of backrest, armrest and optional cushions may vary depending on the composition.

The optional armrests of this Italian designer sectional can be fixed or freely positioned, offering the possibility of satisfying every functional need and giving a renewed dynamism to the product.

Made in Italy.

Finishes & Materials

Backrest Frame: Wood.

Seat Frame: Steel.

Padding: Polyester fibre and polyurethane foam.

Upholstery: Fabric or Leather.

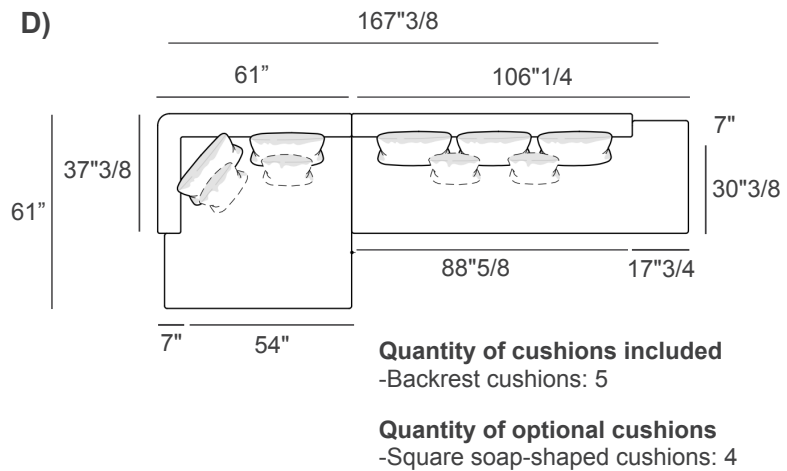
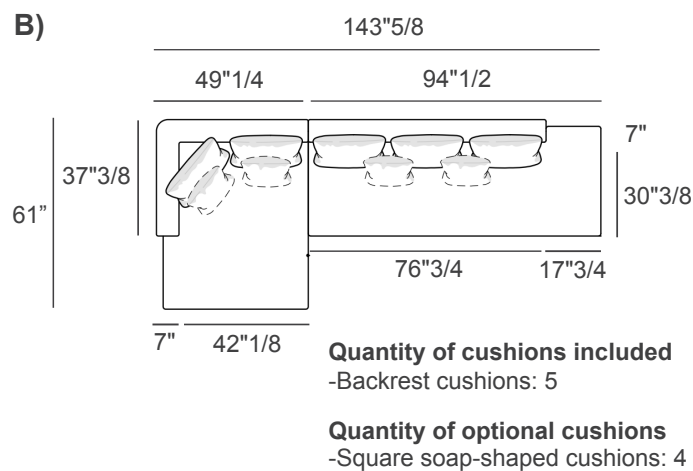
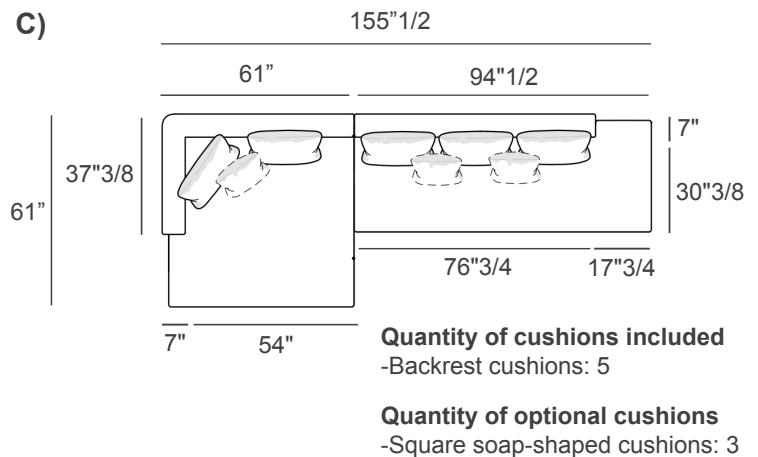
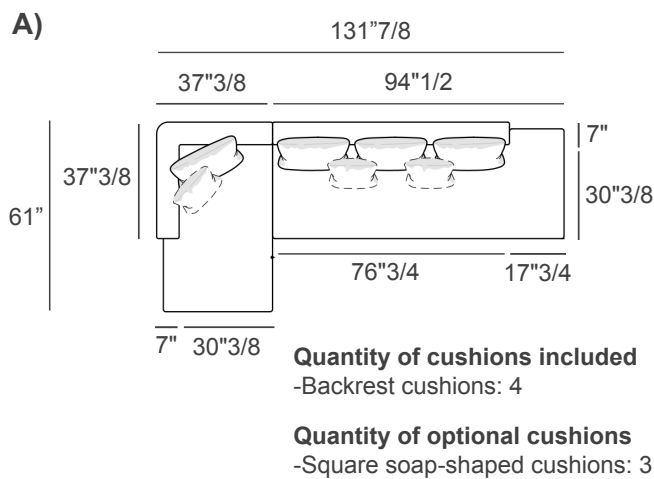
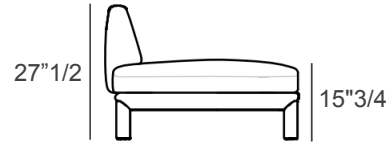
Feet: Solid wood with Finewood or Lacquered finish.

Altana

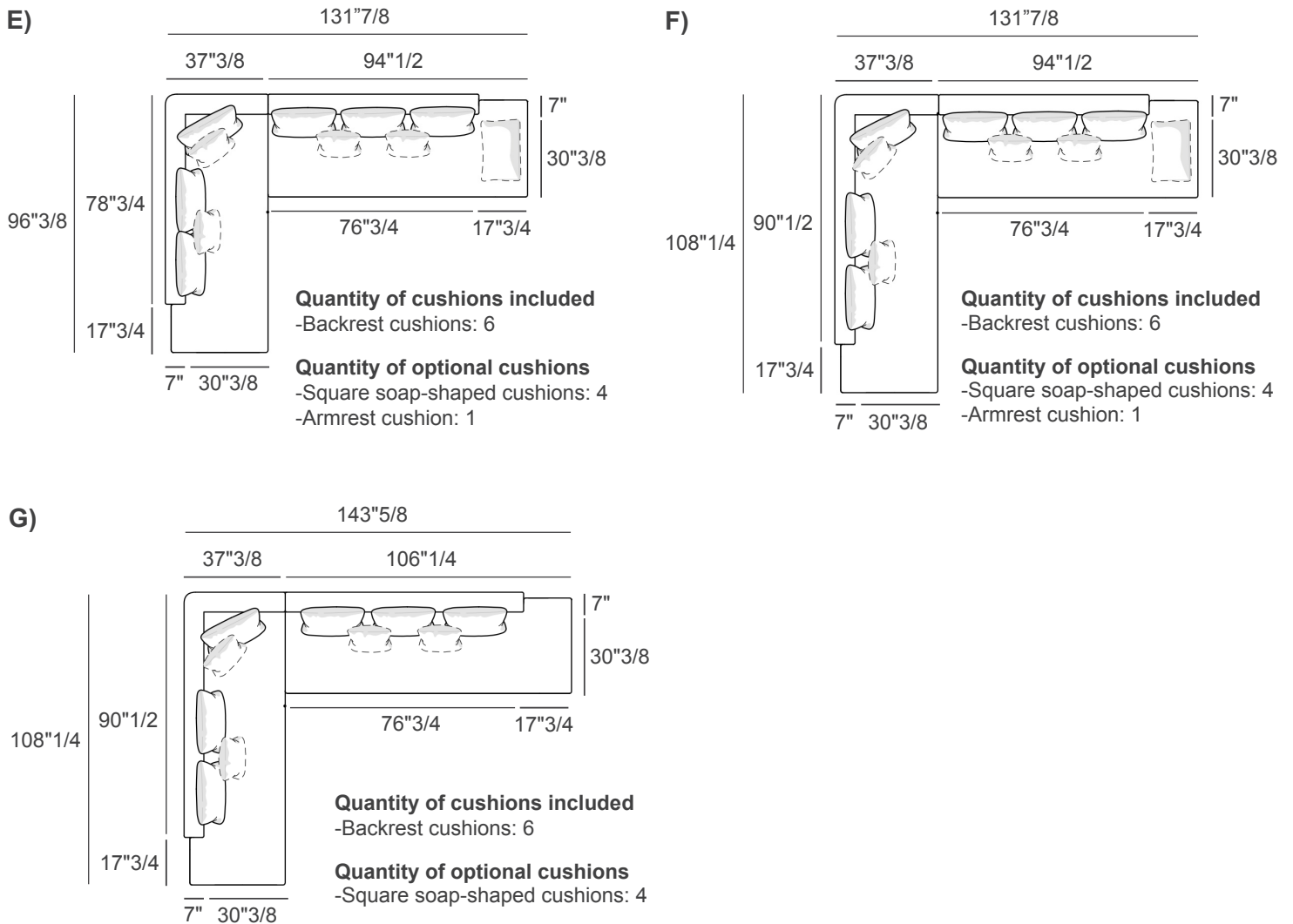
Dimensions

- A) 131"7/8W x 61"D x 27"1/2 - Cod. 280901
- B) 143"5/8W x 61"D x 27"1/2 - Cod. 280801
- C) 155"1/2W x 61"D x 27"1/2 - Cod. 285801
- D) 167"3/8W x 61"D x 27"1/2 - Cod. 278701
- E) 131"7/8W x 96"3/8D x 27"1/2 - Cod. 285901
- F) 131"7/8W x 108"1/4D x 27"1/2 - Cod. 286001
- G) 143"3/4W x 108"1/4D x 27"1/2 - Cod. 285601

Seat height: 15"3/4



Altana



A) Backrest cushion: 23"5/8W x 7"D x 19"5/8H - Cod. DI5178

B) Square soap-shaped cushion: 15"3/4W x 4"3/4D x 15"3/4H - Cod. DI5177

C) Armrest cushion: 23"5/8W x 7"D x 15"3/4H - Cod. DI5187

