

Amida

Design: Alberto Lievore



Description

From the synergy of shapes and proportions comes a family of elegant designer chairs that stands out for its versatility and harmony. Designed to solve needs ranging from residential to contract use, Amida's multiple designs offer maximum flexibility. Solutions range from streamlined, lightweight models to rich, enveloping variants, almost as if carved from a single block.

With amiable gestures, generous back and seat, each piece combines comfort, style, and an unparalleled welcoming feel to meet diverse needs.

This non-stackable chair is designed not only for home spaces but also for offices, professional offices, meeting rooms and other contract spaces.

Made in Italy.

Finishes & Materials

Upholstery: Non-removable Eco-Leather, Fabric or Leather.

Legs: Steel painted metal.

Amida

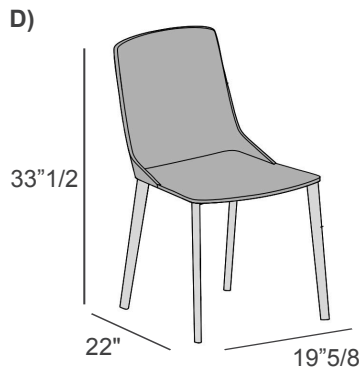
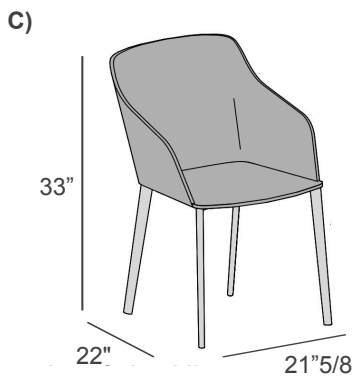
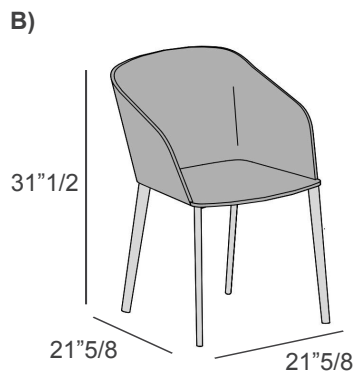
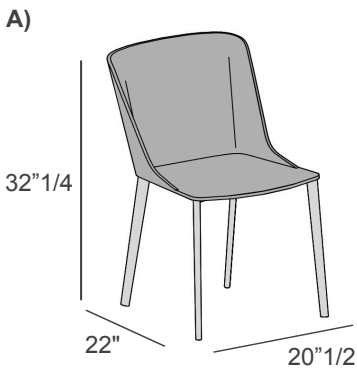
Dimensions

A) 20"1/2W x 22"D x 32"1/4H - Cod. 2796M

B) 21"5/8W x 21"5/8D x 31"1/2H - Cod. 2797M

C) 21"5/8W x 22"D x 33"H - Cod. 2798M

D) 19"5/8W x 22"D x 33"1/2H - Cod. 2799M



21"5/8