

Aqualta

Design: Monica Armani



Description

Born out of a reference to the catwalks laid out among the Venetian calli at peak tides, the Aqualta luxury chair represents a form that is engrained in the archetypal chair for all of us, a balance of pure sign and detail.

The single-material seat with simple lines surprises with its light weight, a quality that contrasts with its generous proportions, given by extremely comfortable padding.

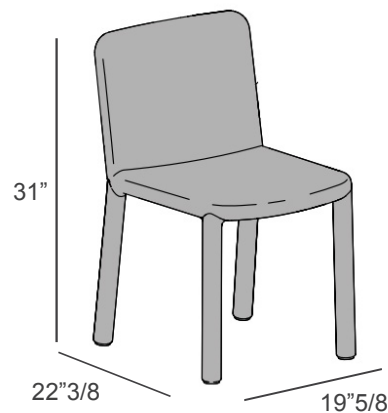
An essential object, deliberately also playful, which dialogues with the stylistic features of the LAGO world.

The internal aluminum frame and the upholstered volume that defines the Aqualta non-stackable chair, like the textile upholstery, are easily disassembled at the end of its life cycle, with a view to sustainable design.

Made in Italy.

Dimensions

19"5/8W x 22"3/8D x 31"H - Cod. 2795



Finishes & Materials

Upholstery: Removable Eco-Leather, Fabric and Leather.

Internal Frame: Aluminum.