

Colombina

Design: Monica Armani



Description

The backrest of the Colombina chair is characterized by its curved shape, which it embraces naturally. The refined oval line, which recalls the delicacy of Venetian masks, creates a fluid and welcoming design that combines aesthetics and functionality with a touch of timeless class. Objects with a sinuous and elegant line, they are the synthesis of organic forms and precise details. Made in Italy.

Dimensions

A) 22"3/8W x 24"3/4D x 30"5/8H

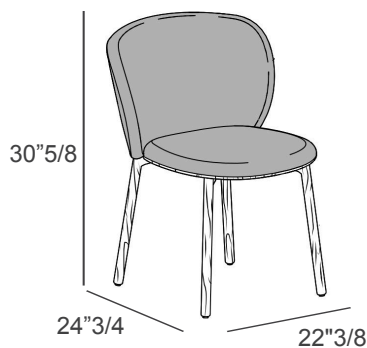
B) 26"3/8W x 24"7/8D x 30"5/8H

Finishes & Materials

Upholstery: Non-removable Eco-Leather, Fabric or Leather.

Legs: Finewood.

A) Cod. 2792F



B) Cod. 2793F

