

# Orizzonte

*Design: Pininfarina*



## *Description*

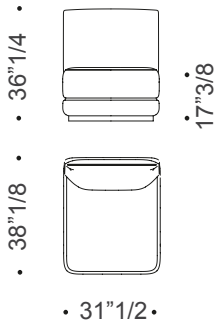
Modular sofa with internal wooden structure, with polyurethane foam padding. Covered in fabrics as per collection. Manual mechanism for adjusting the backrest and armrest (optional). Wooden detail in the seat in Canaletto walnut or Canaletto Héné. Made in Italy.



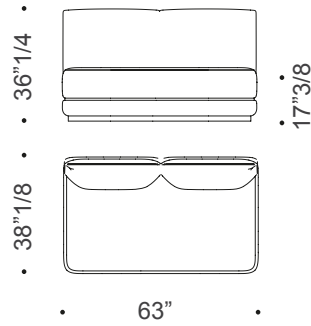
## Orizzonte

### Modules available

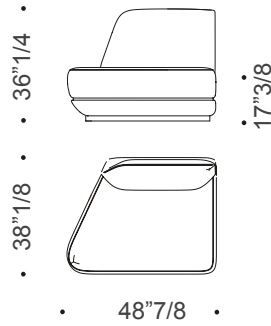
A 1p



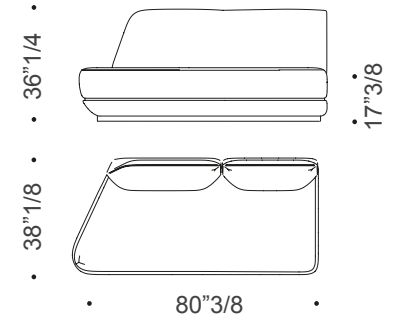
A 2p



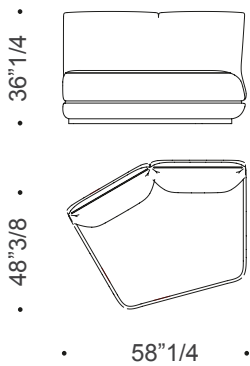
B 1p SX / DX



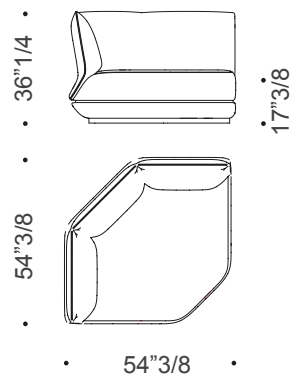
B 2p SX / DX



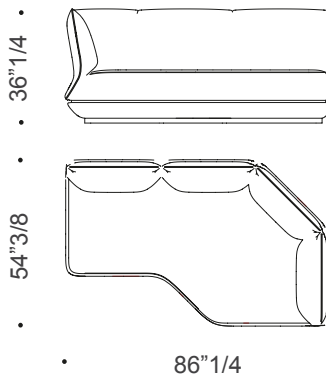
C



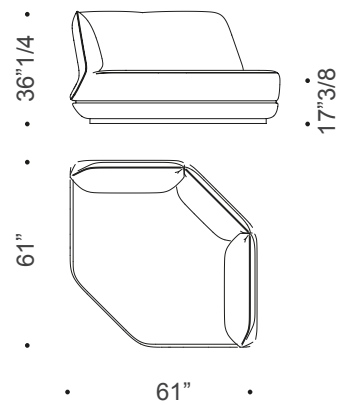
D



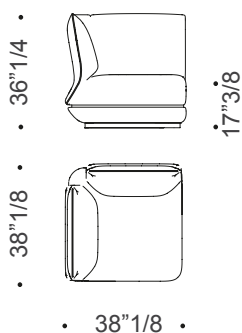
E SX / DX



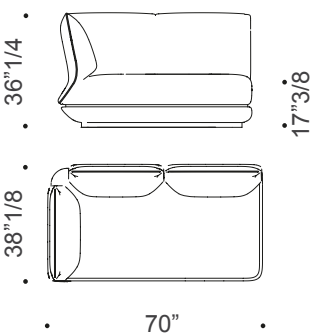
ISOLA



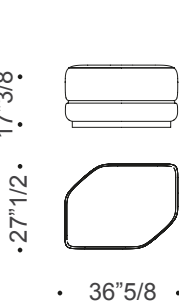
F 1p SX / DX



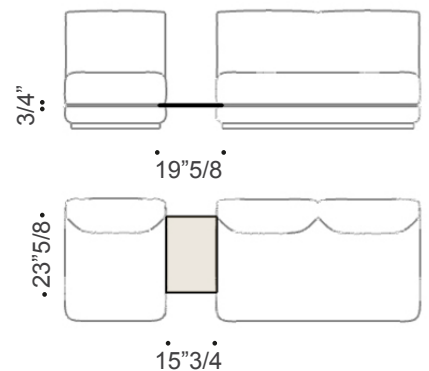
F 2p SX / DX



OTTOMAN



BRIDGE TABLE



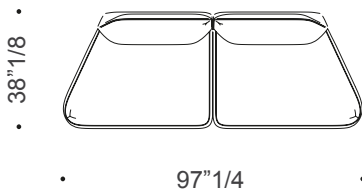
## Orizzonte

### Suggested compositions

#### Composition 1

B1 + B1

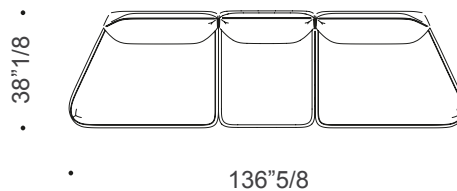
97"1/4W x 38"1/8D x 36"1/4H



#### Composition 2

B1 + A1 + B1

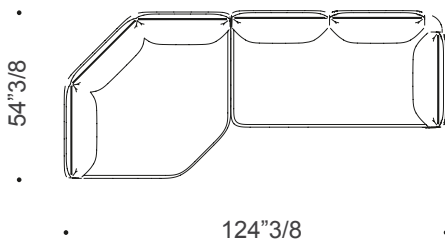
136"5/8W x 38"1/8D x 36"1/4H



#### Composition 3

D + F2

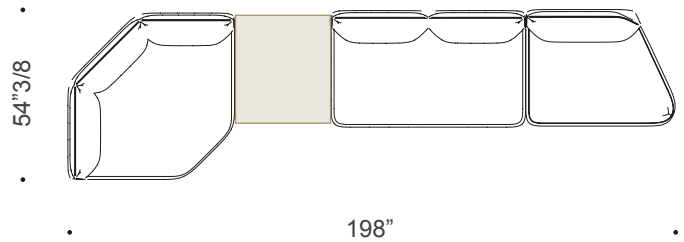
124"3/8W x 54"3/8D x 36"1/4H



#### Composition 4

D + Bridge table + A2 + B1

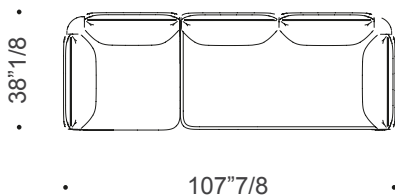
198"W x 54"3/8D x 36"1/4H



#### Composition 5

F1 + F2

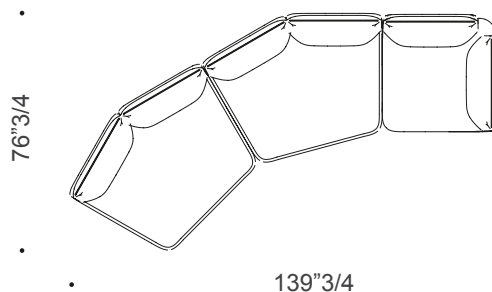
107"7/8W x 38"1/8D x 36"1/4H



#### Composition 6

C + C + F1

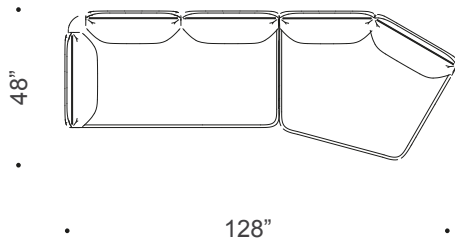
139"3/4W x 76"3/4D x 36"1/4H



## Orizzonte

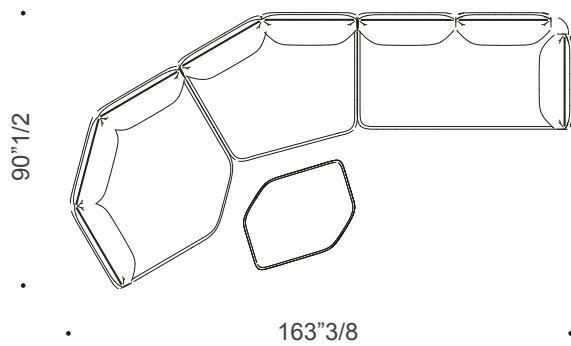
### Composition 7

F2 + C  
128"W x 48"D x 36"1/4H



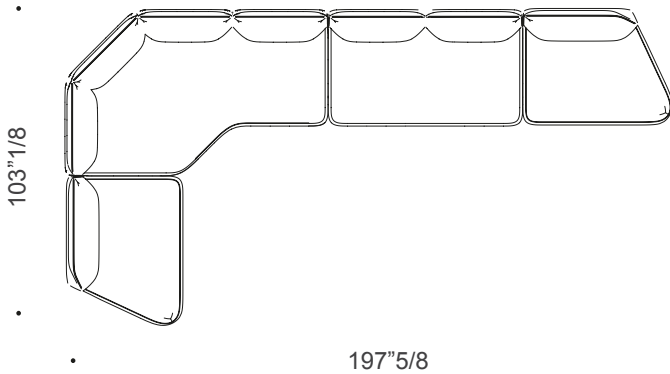
### Composition 8

D + C + F2 + Ottoman  
163"3/8W x 90"1/2D x 36"1/4H



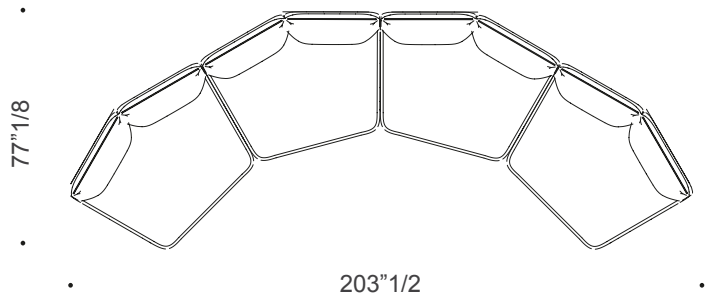
### Composition 9

B1 + E + A2 + B1  
197"5/8W x 103"1/8D x 36"1/4H



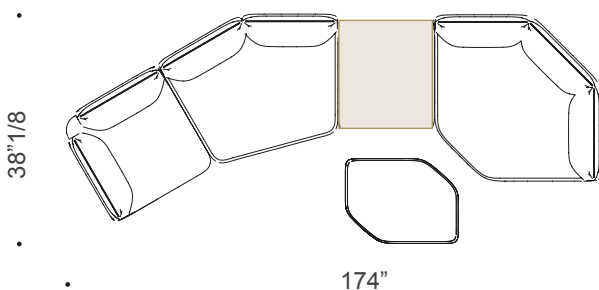
### Composition 10

C + C + C + C  
203"1/2W x 77"1/8D x 36"1/4H

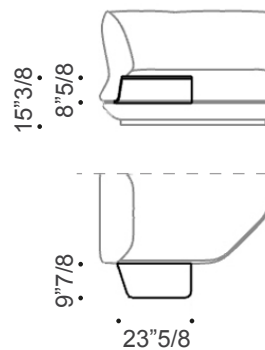


### Composition 11

F1 + C + Bridge table + D + Ottoman  
174"W x 38"1/8D x 36"1/4H



### CURVED ARMREST (Accessory)



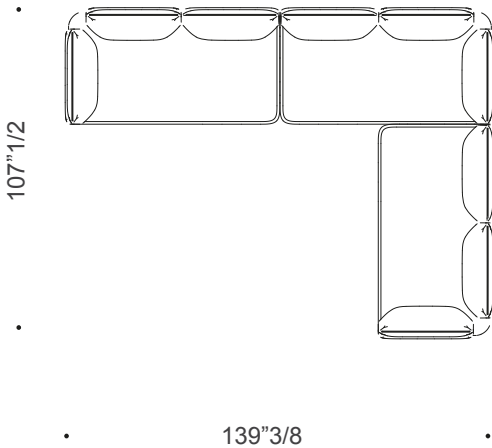
## Orizzonte

---

### Composition 12

F2 + F2 + F2

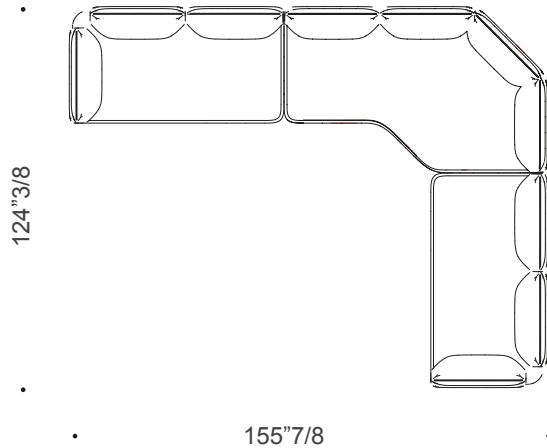
139"3/8W x 107"1/2D x 36"1/4H



### Composition 13

F2 + E + F2

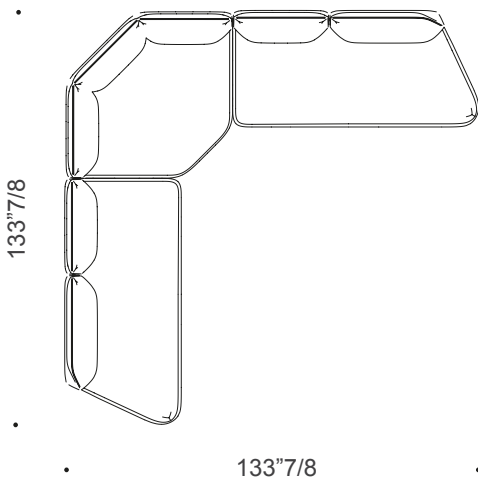
155"7/8W x 124"3/8D x 36"1/4H



### Composition 14

B2 + D + B2

133"7/8W x 133"7/8D x 36"1/4H



### Composition 15

B1 + D + A2

118"1/8W x 102"3/8D x 36"1/4H

