

Ramo

Design: Riccardo Lucatello



Description

Dining table with base composed of a metal frame in Dark Copper finish and four or six legs in ash, natural or ebony stained. Rectangular or square-round top available in the following options:

- Top in 5/8" thick extra-clear glass with polished edges
 - Top in 1/2" thick smoked-grey or bronze glass
 - Top in 1/2" thick smoked-grey or bronze Acqua glass
- Made in Italy.



Ramo

Dimensions

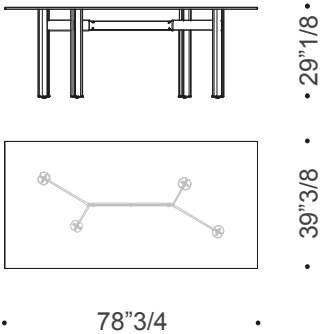
Rectangular top

A: 78"3/4W x 39"3/8D x 29"1/8H

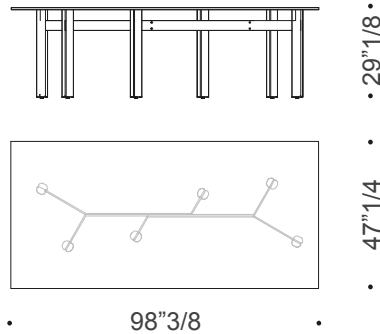
B: 98"3/8W x 47"1/4D x 29"1/8H

C: 118"1/8W x 47"1/4D x 29"1/8H

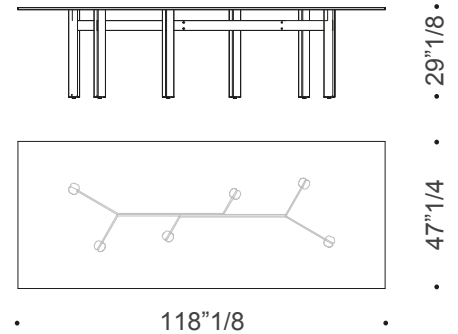
A



B



C



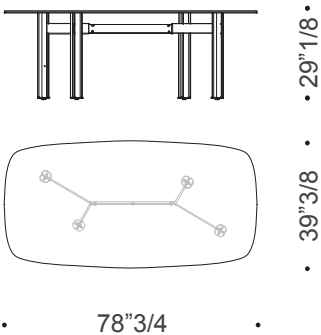
Square-round top

D: 78"3/4W x 39"3/8D x 29"1/8H

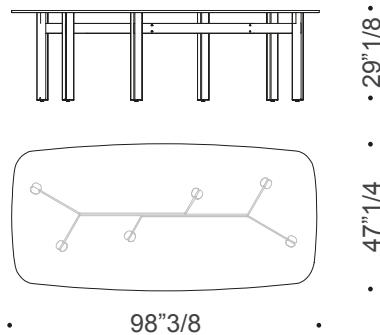
E: 98"3/8W x 47"1/4D x 29"1/8H

F: 118"1/8W x 47"1/4D x 29"1/8H

D



E



F

