

## Orbit

*Design: Studio Sovet*



### *Description*

This mirror features a classic circular shape enhanced by a broad frame.

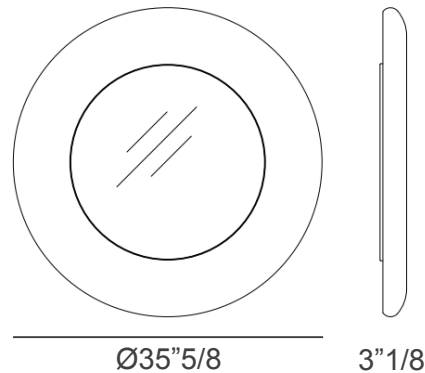
The generous width of the frame draws attention to its clean, central reflective surface, creating a balanced and striking presence.

Its simple yet refined design allows it to complement a wide range of interior styles.

Made in Italy.

### *Dimensions*

Ø35"5/8 x 3"1/8D



### *Finishes & Materials*

**Frame:** Lacquered lathe-turned aluminum.

**Surface:** Different mirrored shades.

*Please note: Gold and rose mirrors could have small imperfections due to the particular technical characteristics of the material. We recommend not to use them in damp areas. Clean only with a dry cloth.*