

Xenial

Design: Studio Sovet



Description

This luxury Italian chair features a minimalist yet elegant design, characterized by its smooth, flowing lines and refined silhouette.

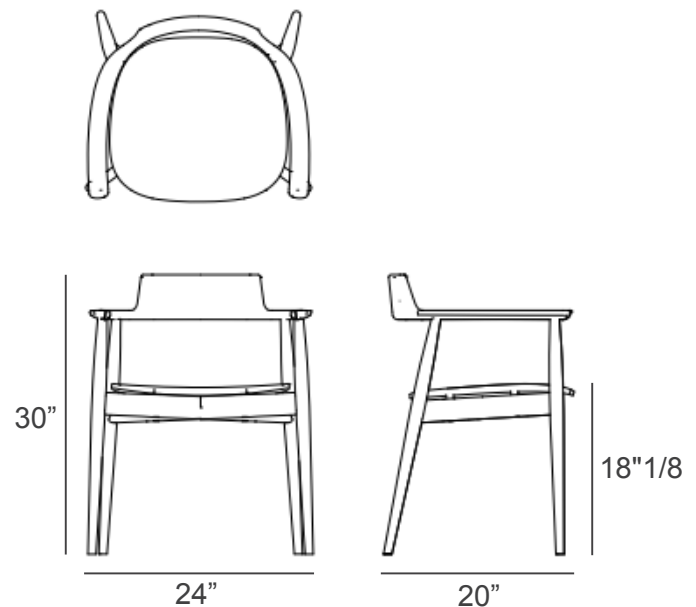
The gently curved backrest provides both support and visual appeal, while the arms seamlessly extend from the backrest, creating an organic, cohesive form.

Made in Italy.

Dimensions

24"W x 20"D x 30"H

Seat height: 18"1/8



Finishes & Materials

Structure: Varnished ash.

Seat: Multi-layer and softly padded, upholstered in Leather, Eco-Leather, Fabric or Velvet.