

Almeria

Design: Antonio De Marco



Description

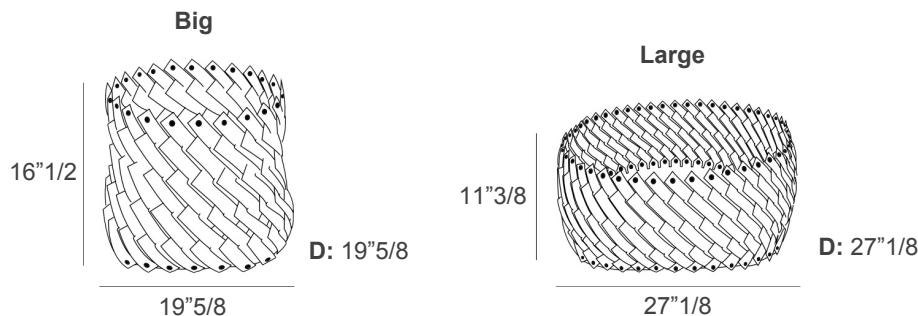
This set of two square baskets combines refined design with practical versatility. Hand-woven from eco-friendly, washable, and highly resistant regenerated leather, both pieces are ideal for indoor and outdoor use—naturally resistant to light and water. The set includes a big basket perfect for storing towels, blankets, or larger items in entryways, bathrooms, or SPAs. The larger one offers a generous surface area ideal for organizing shoes, magazines, or poolside essentials. Together, they bring warm texture and sophisticated organization to any space. Made in Italy.

Dimensions

Set of 2 square baskets: 1 Big + 1 Large

Big: 19"5/8W x 19"5/8D x 16"1/2H - Cod. 00.1231

Large: 27"1/8W x 27"1/8D x 11"3/8H - Cod. 00.1230



Finishes & Materials

Hand-Woven Structure: Leather.

