

## Arena

*Design: Antonio De Marco*



### *Description*

Part of the Arena high-end collection, this Italian luxury basket set showcases refined craftsmanship and versatile design. The set includes four different sizes, offering a practical yet stylish solution for organizing and decorating both indoor and outdoor environments.

Each basket is entirely hand-woven using eco-friendly, regenerated leather that is washable, highly resistant, and suitable for spaces such as yachts, terraces, and spas. The distinctive geometric weave adds a sophisticated texture that blends seamlessly into modern and contemporary settings.

Perfect as a magazine holder, towel basket, or shoe organizer, the Arena set brings elegance and function to any room or professional space. Available with or without lids to suit your storage and aesthetic preferences.

Made in Italy.

### *Finishes & Materials*

**Structure:** Hand woven, eco-friendly, washable and resistant regenerated leather.



## Arena

### Dimensions

Set of 4 baskets: 1 Small + 1 Medium + 1 Tall + 1 Large

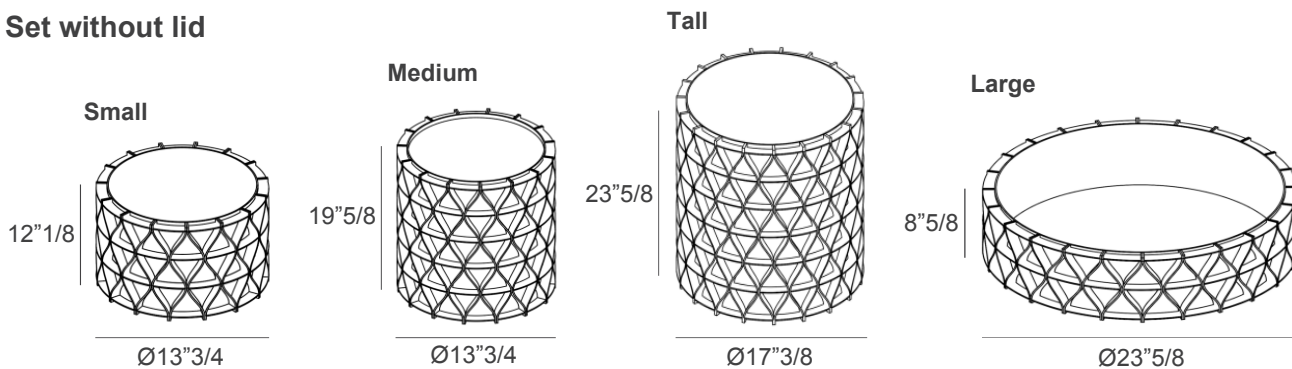
#### Without lid

- **Small:** Ø13"3/4 x 12"1/8H - Cod. 00.1540
- **Medium:** Ø13"3/4 x 19"5/8H - Cod. 00.1541
- **Tall:** Ø17"3/8 x 23"5/8H - Cod. 00.1542
- **Large:** Ø23"5/8 x 8"5/8H - Cod. 00.1543

#### With lid

- **Small:** Ø13"3/4 x 12"1/8H - Cod. 00.2540
- **Medium:** Ø13"3/4 x 19"5/8H - Cod. 00.2541
- **Tall:** Ø17"3/8 x 23"5/8H - Cod. 00.2542
- **Large:** Ø23"5/8 x 8"5/8H - Cod. 00.2543

#### Set without lid



#### Set with lid

