

Plano T1.3 Alcantara®

Design: Marc Sadler



Description

Pool table with playing field made of a single 5/8" thick low iron tempered glass sheet, enhanced by a soundproofing polyurethane layer for optimal bounce and acoustics. Playing surface in Simonis® 860™ worsted wool, available in 25 colors. Precision-built using CNC machines for perfect alignment. Classic pockets replaced by flexible polyurethane pockets that hold three balls and return to shape. Legs made of 5/8" clear tempered glass with double-bevel edges. Interchangeable side walls with Alcantara® inlays. Base in matte black open-pore solid oak with chromed metal listels. Hidden 12-screw leveling system. Made in Italy.

Finishes and materials

Playing field: Tempered crystal, 5/8" thick.

Playing surface cloth: Simonis®860™ worsted wool, available in 25 colors.

Rails: Solid Aluminum rails with Alcantara® inlays.

Bumpers & Pockets: Polyurethane.

Legs: Clear tempered crystal, 5/8" thick, with double-bevel edges.

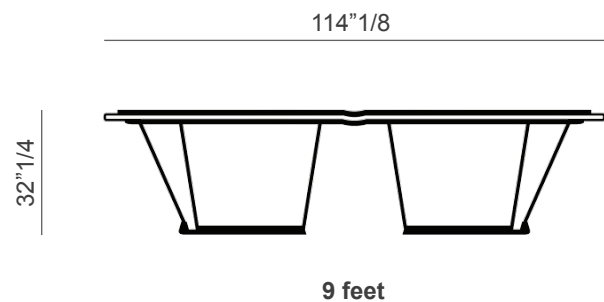
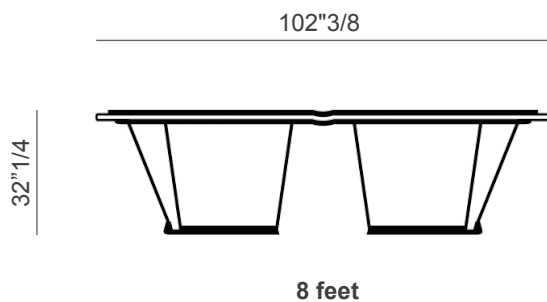
Bases: Solid oak, matte black open-pore finish with chromed metal listels.

T1.3 Alcantara®

Dimensions

8 feet: 102"3/8W x 58"1/4D x 32"1/4H

9 feet: 114"1/8W x 64"1/8D x 32"1/4H



Included Accessories

- **Pool Balls:** Super Aramith® Pro billiard ball set for American pool: 1 cue ball + 15 regular game balls.

- **Branded Teckell® Game triangle:** Made of black brushed aluminum with polished chrome-plated brass joints. Textured stainless steel finish featuring logo. Suitable for 15 standard-sized balls (American pool).

- **Four Teckell® branded cues,:** Accurate, versatile and extremely high performing.

- **Chalks set.**



Optional Accessories

- **Cue rack:** Clear crystal structure, 5/8" thick, that holds seven cue sticks. Black oak wood base.