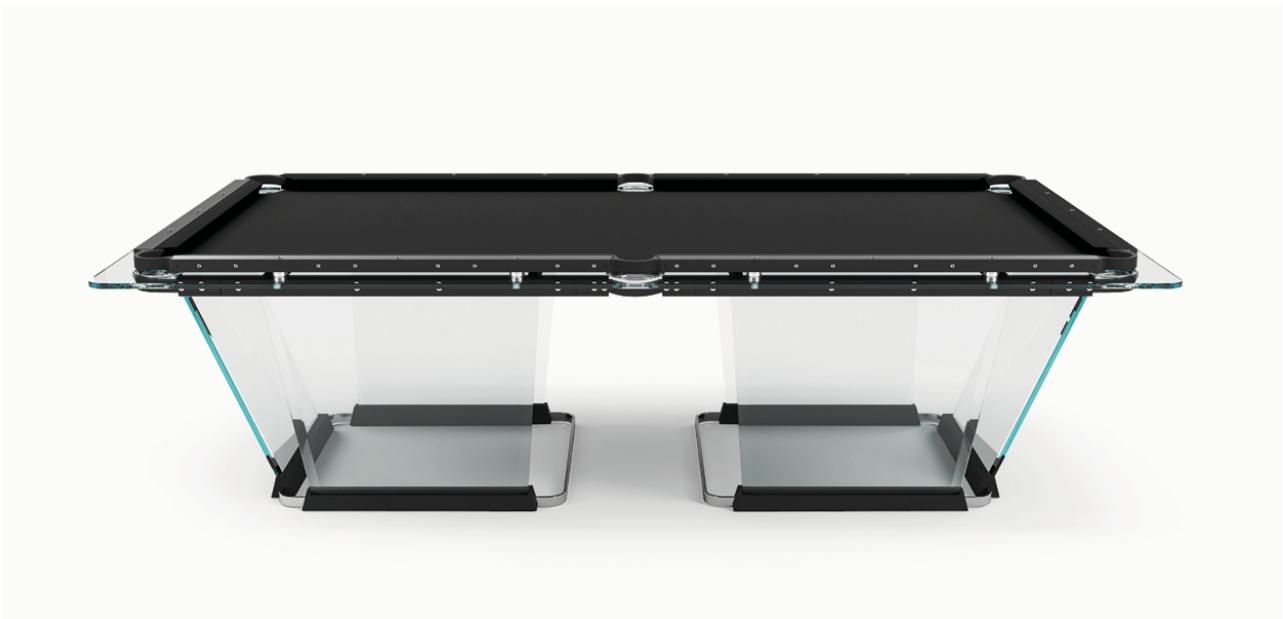


Plano T 1.1 Black

Design: Marc Sadler



Description

Pool table with playing field made of a single sheet of tempered crystal. Playing surface cloth in worsted wool Simonis® 860™, available in 25 colors. Installation of a soundproofing polyurethane layer below the cloth. Pool table created using only computer numerical control (CNC) machines which ensure unrivaled precision. Polyurethane bumpers. Classic pockets have been replaced by highly flexible polyurethane pockets that can hold three playing balls and return to their original shape when emptied. Legs made of clear tempered crystal with double-bevel edges. Bases in solid oak, matte black open-pore finish with chromed metal listels. Precise leveling system utilizing 12 screws that are hidden inside the table's wooden base. Made in Italy.

Finishes and materials

Playing field: Tempered crystal, 5/8" thick.

Playing surface cloth: Simonis®860™ worsted wool, available in 25 colors.

Rails: Solid aluminum with black anodized Snake-skin finish.

Bumpers & Pockets: Polyurethane.

Legs: Clear tempered crystal, 5/8" thick, with double-bevel edges.

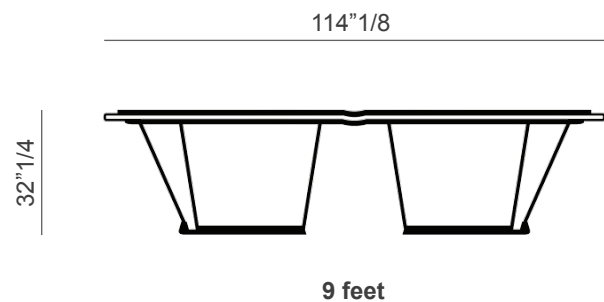
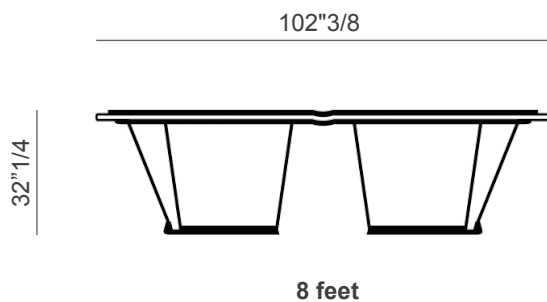
Bases: Solid oak, matte black open-pore finish with chromed metal listels.

T1.1 Black

Dimensions

8 feet: 102"3/8W x 58"1/4D x 32"1/4H

9 feet: 114"1/8W x 64"1/8D x 32"1/4H



Included Accessories

- **Pool Balls:** Super Aramith® Pro billiard ball set for American pool: 1 cue ball + 15 regular game balls.

- **Branded Teckell® Game triangle:** Made of black brushed aluminum with polished chrome-plated brass joints. Textured stainless steel finish featuring logo. Suitable for 15 standard-sized balls (American pool).

- **Four Teckell® branded cues,:** Accurate, versatile and extremely high performing.

- **Chalks set.**

Optional Accessories

- **Cue rack:** Clear crystal structure, 5/8" thick, that holds seven cue sticks. Black oak wood base.

