

# Bodyguard

*Design: Studio Bigg*



## *Description*

Sectional with metal structure. Armrests and backrest padded with multi-density expanded polyurethane (T40 + CD18SS + T30N) covered with resin lining 350 gr and wadding "Fibra Piuma 545 gr". Seat padded with multi-density expanded polyurethane (T40 + OS35scm + 35EM + MindFoam SS) covered with wadding "Fibra Piuma 545 gr". Springing: elastic belts. Covers in fabrics or leathers as per collection. Varnished metal feet, available in micaceous brown finish. Standard feet height is 6"5/8. On request feet can be 8"5/8 with an extra charge. Made in Italy.

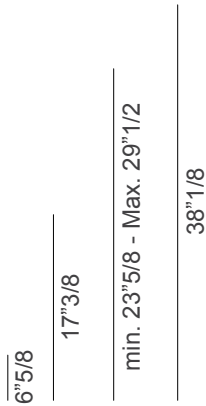
### Note:

The armrest and backrest mechanisms increase the size of the sofa by 5"7/8 in width and 4" in depth. In order to avoid any damages to the mechanism, please do not sit on armrests and backrests.



## Bodyguard

### Suggested compositions



#### For all compositions

With standard feet height: 6"5/8

Seat height: 17"3/8

Armrests height: min. 23"5/8 - Max. 29"1/2

With higher feet: 8"5/8

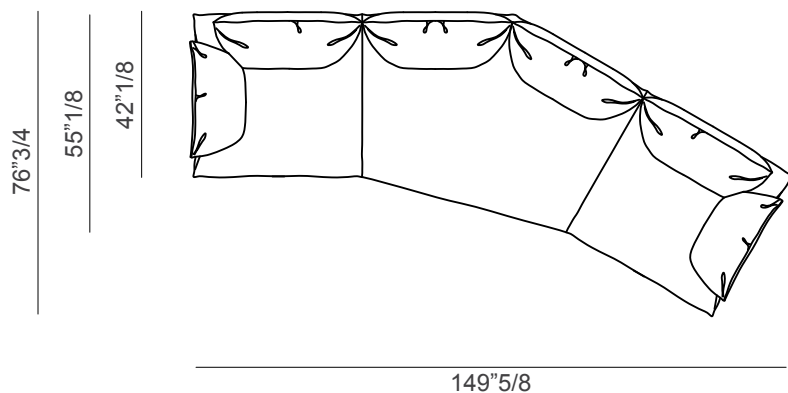
Seat height: 19"1/4

Armrests height: min. 25"5/8 - Max. 31"1/2

#### Composition A

149"5/8W x 76"3/4D x 38"1/8H

left unit + central unit with 30° angle  
+ right unit

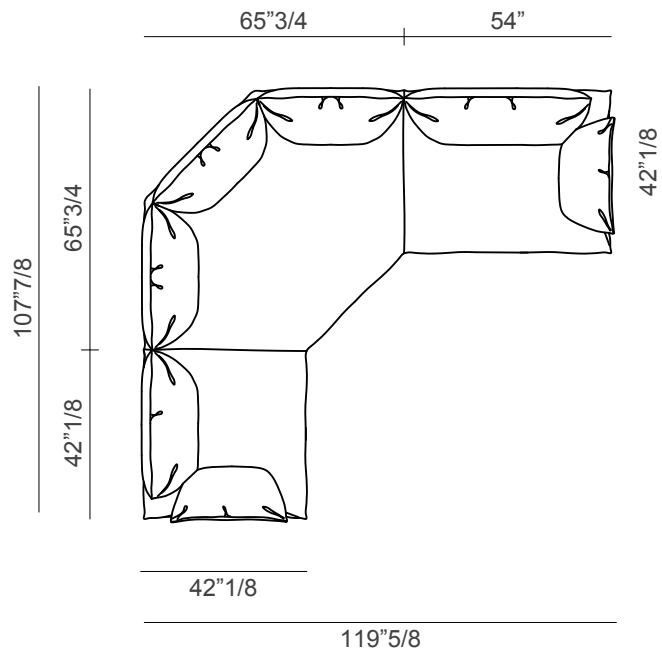


## Bodyguard

### Composition C

119"5/8W x 107"7/8D x 38"1/8H

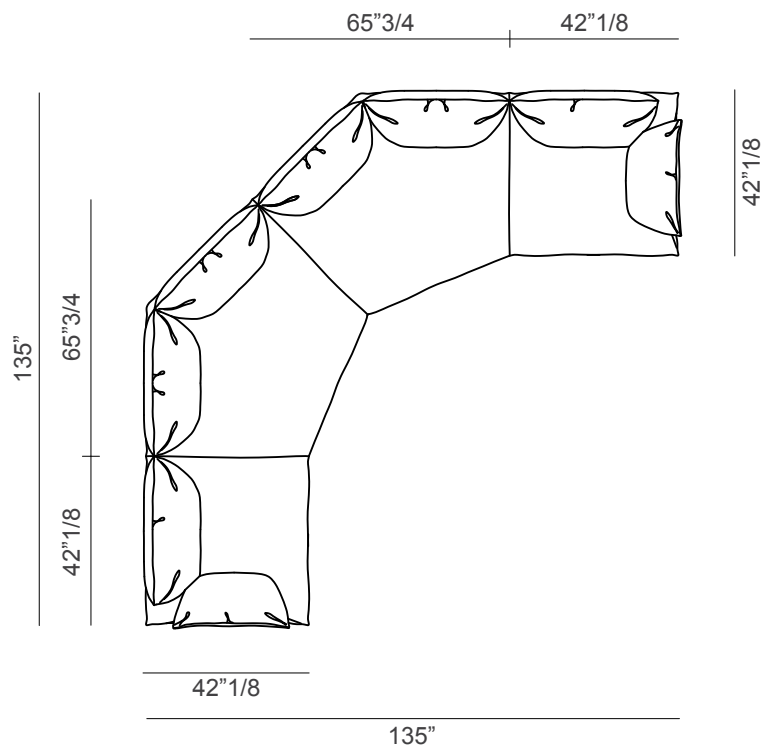
*left unit + corner unit + right unit*



### Composition D

135"W x 135"D x 38"1/8H

*left unit + 2 central units with 45° angle + right unit*



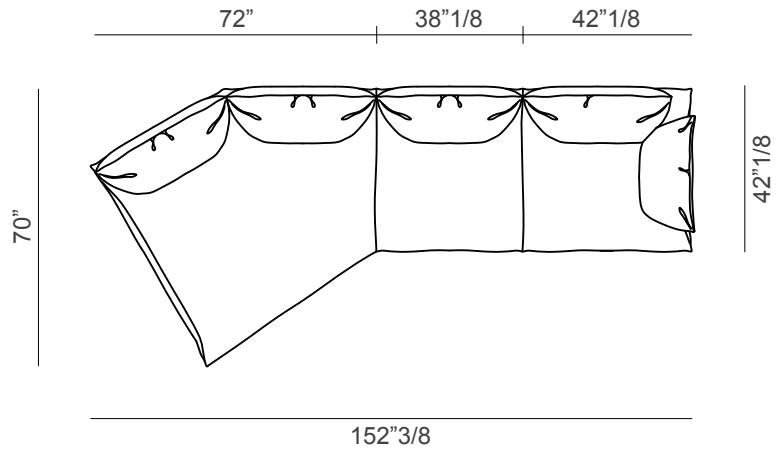
## Bodyguard

---

### Composition E

152"3/8W x 70"D x 38"1/8H

*left chaise lounge with 30° angle  
+ central unit + right unit*



### Composition F

169"5/8W x 56"5/8D x 38"1/8H

*central unit with 45° angle + central  
unit + central unit with 45° angle*

