

Grace

Design: Philippe Nigro



Description

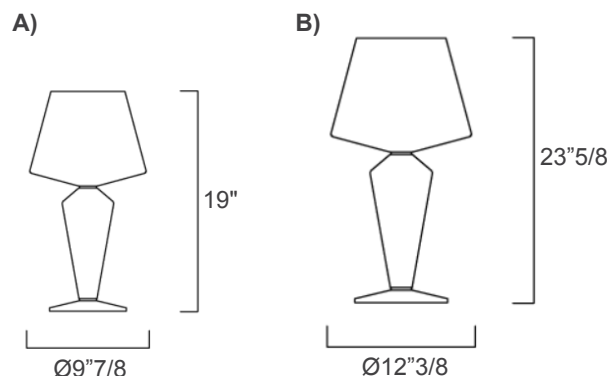
Proud and elegant as a princess of eternal beauty, the Grace collection is permeated by genteel classic charm. The structure is eclectic, borrowing the diffuser system from the traditional Murano chandelier: the cup grows in size and becomes a large goblet that contains and enhances the luminous element inside it, made with the rostrato technique. The methods utilized to create the trunk, crossed by evocative bubbles enclosed between two layers of glass, in separate colours, are equally sophisticated. The final effect is dazzling, the result of a complex sequence of workmanship, from dipped ballotton to mirror finishing.

Made in Italy.

Dimensions

A) Ø9"7/8 x 19"H - Cod. 7430-00
1 G9 included x 7W - Dimmable
+ LED included - Not dimmable

B) Ø12"3/8 x 23"5/8H - Cod. 7431-00
1 G9 included x 7W - Dimmable
+ LED included - Not dimmable



Finishes & Materials

Murano Structure: Venetian Crystal.

Base & Details: Metal.