

Teti

Design: Giorgetti R&D

GIORGETTI
Maserati EDITION



Description

Side table with base made of cold-foamed rigid polyurethane, lacquered in two variants or upholstered in leather. The structure includes an additional layer of rubber before upholstery. The lacquered finish is available in two shaded color options, obtained by a liquid metal base, which is then hand-finished to achieve a shaded effect. The two color options include: a liquid metal base with a light blue to copper shade or a liquid metal base that fades from white to copper color.

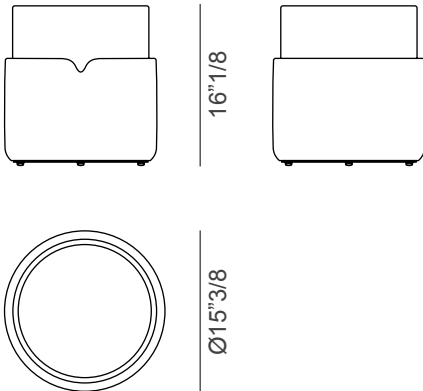
The leather version is finished with highly detailed stitching, executed with extreme precision to further enhance the quality of the upholstery and give it a distinctive appearance. Available exclusively in Pelle Plus and Pelle Satin leather.

An extra-clear glass container is placed on top of the base, remaining unfixd to allow easy removal for cleaning or handling. On the bottom of the container is the Giorgetti Maserati Edition logo. Made in Italy.

Teti

Dimensions

With shaded lacquered base:
Ø15"3/8 x 16"1/8H



With leather base:
Ø16"1/8 x 16"1/8H

