

Tiber & Tiberina

Design: Virginia Harper



Description

Tiber:

Coffee table with 1/2" thick HPL top, with ash wood inlays available in natural, anthracite grey, biscuit and ash grey finishes. The inlay is designed with lines that recall the opening of a fan, creating a dynamic visual effect. Between the top and the base is a support in titanium lacquered MDF. The leg is covered in leather, available in leather, Pelle Plus or Satin leather. The base is in metal Pewter painted and follows the shape of the leg, with a felted finish.

Tiberina:

Ottoman with structure made of a composite material, which is particularly performing to guarantee the realisation of complex structural shapes and at the same time very light. The padding is in polyurethane foam, covered with a layer of polyester fibers to guarantee maximum comfort and support. The upholstery is available in fabrics or leathers as per collection. The direction of the upholstery is split into three parts to accentuate the dynamism and visual movement of the product. Made in Italy.

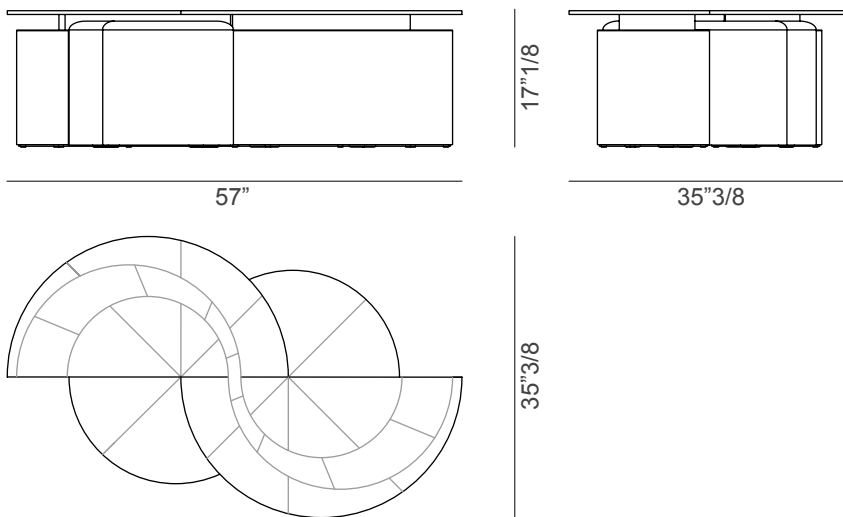
Tiber & Tiberina

Suggested composition

2 Tiberina Ottomans + 2 Tiber Coffee Tables

Closed: Ø35"3/8 x 17"1/8H

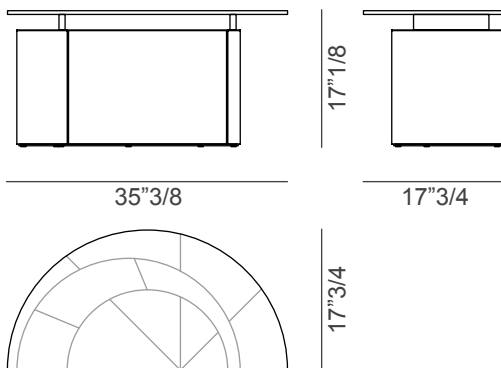
Open: 57"W x 35"3/8D x 17"1/8H



Dimensions

Tiber Coffee Table

35"3/8W x 17"3/4D x 17"1/8H



Tiberina Ottoman

23"5/8W x 20"D x 16"3/8H

