

Iola Socks

Design: Studio E-GGS



Description

Chair or Armchair padded and fully upholstered in the fabric. Available with or without armrests in solid Ash or solid black Ash. Made in Italy.

Dimensions

Chair: 20"1/2W x 23"D x 32"5/8H (SH: 18"3/8)

Armchair: 22"5/8W x 23"D x 32"5/8H (SH: 18"3/8, AH: 27"1/8)

Finishes and materials

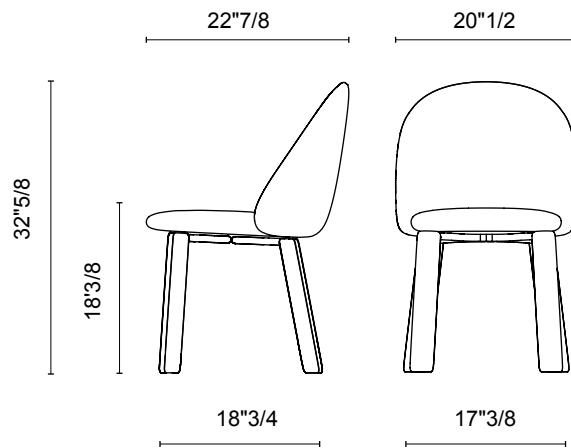
Cover: Fabric.

Legs: Covered.

Dimensions

IOLA SOCKS CHAIR

width: 20"1/2
depth: 22"7/8
height: 32"5/8
seat height: 18"3/8



IOLA SOCKS ARMCHAIR

width: 22"5/8
depth: 22"7/8
height: 32"5/8
seat height: 18"3/8

