

# Striche

Design: Matteo Zorzenoni

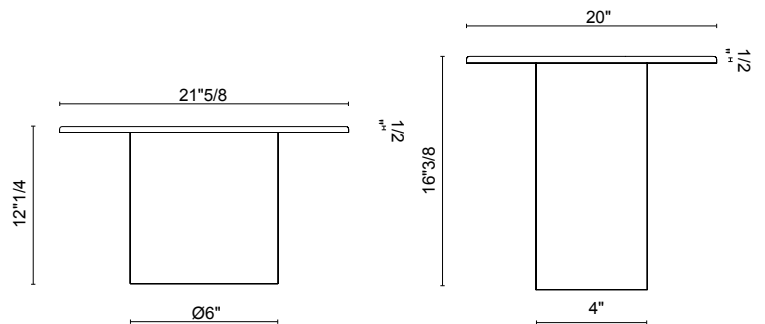


## Description

Striche in Venetian dialect means line or stripe; “far striche” means to go big, to make a splash. And indeed, this table is anything but ordinary. Made from Murano molten glass, its top requires four different pours: one for the shape, one for the color, one for the design and finally, one for the texture. Only then does it achieve its signature sugary aesthetic. Striche makes glass delectable, taking on a bright, gummy-like appeal, ideal for bringing light and character to private and public spaces. Made in Italy.

## Dimensions

**Coffee Table:** 21"5/8W x 21"D x 12"1/4H  
**Side Table:** 20"W x 13"D x 16"3/8H



## Finishes and materials

**Top:** Murano Glass

**Structure:** Blown Glass