

Alicante

Design: Antonio De Marco



Description

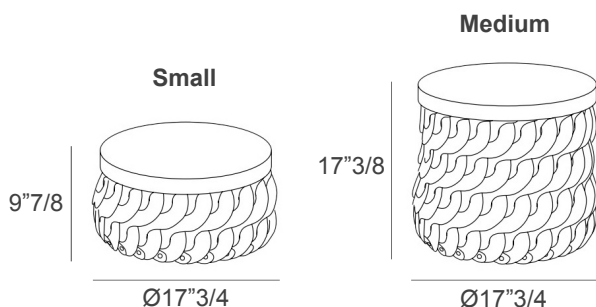
This set of two baskets with lid blends sculptural elegance with practical design. Each piece features signature S-shaped elements made with eco-friendly, washable, and resistant leather, that intersect seamlessly, secured at both ends with metal pins—a striking detail that enhances their architectural appeal. Designed for both indoor and outdoor use, these lidded baskets offer a refined solution for concealing everyday items while elevating the overall aesthetic of any room. A statement in texture and form, crafted to organize with style. Made in Italy.

Dimensions

Set of 2 baskets with lid: 1 Small + 1 Medium

Small: Ø17"3/4 x 9"7/8H - Cod. 00.2520

Medium: Ø17"3/4 x 17"3/8H - Cod. 00.2521



Finishes & Materials

Hand-Woven Structure & Lid: Leather.

Pins: Metal

